

# Gate Valve

Resilient Seated OS&Y Type-Groove-Groove Ends

Fig. 333GG-300



### Valve Standard

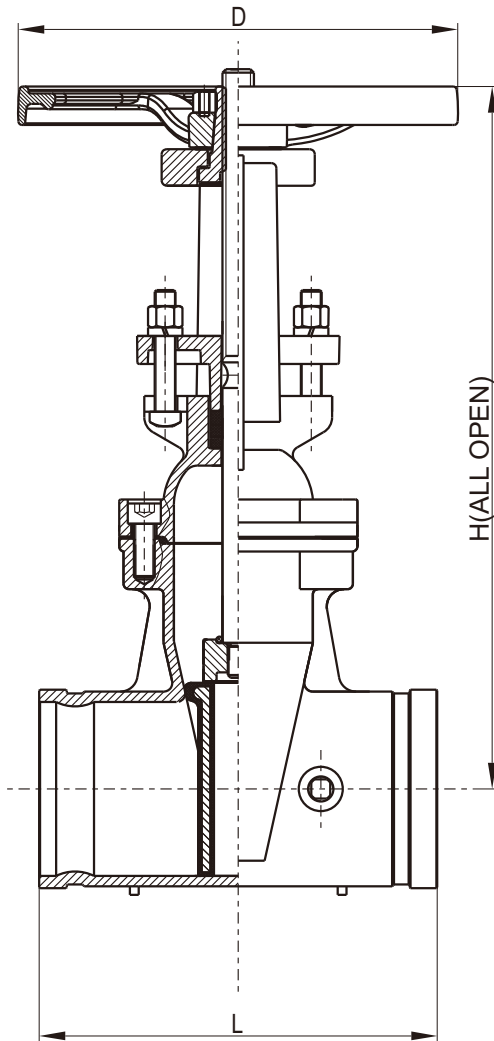
Conforms to AWWA C515 / BS5163

### Working pressure

300PSI

### Connection Ends

AWWA C 606



### Materials List

Part Name	Material	Specification
Body	Ductile Iron	A536 65-45-12
Wedge	Ductile Iron EPDM Coated	
Wedge Nut	Stainless Steel	AISI304
Stem	Stainless Steel	AISI304/302
Bonnet	Ductile Iron	A536 65-45-12
Gasket	EPDM	Commercial
Packing	Graphite	Non-asbestos
Stem Nut	Bronze	ASTM B62
Handwheel	Ductile Iron	A536 65-45-12

### Dimensions(mm/inch):

SIZE	mm	50	65	80	100	125	150	200	250	300
	inch	2	2 1/2	3	4	5	6	8	10	12
L	mm	178.0	191.0	203.0	229.0	254.0	267.0	292.0	330.0	356.0
	inch	7.00	7.50	8.00	9.00	10.00	10.50	11.50	13.00	14.00
H	mm	411	411	462	514	629	709	922	1116	1300
	inch	16.18	16.18	18.19	20.24	24.76	27.91	36.30	43.94	51.18
D	mm	183	183	253	253	306	306	355	445	445
	inch	7.20	7.20	9.96	9.96	12.05	12.05	13.98	17.52	17.52



## HMRZ.EX15668 Gate Valves

Page Bottom

### Gate Valves

See General Information for Gate Valves

#### TIANJIN GALAXY VALVE CO LTD

EX15668

15 Tianhua Rd  
Balitai Industrial Area  
Jinnan District  
300350 Tianjin, CHINA

Resilient Seated Gate Valves.

Pattern	Model	Size, in.	End Configuration	Rated Pressure, psig
*NRS	388FF-300 388GG-300 388FG-300	2.5, 3, 4, 5, 6, 8, 10, 12	F by F G by G F by G	300
OS&Y	399FF-300 399GG-300 399FG-300	2, 2.5, 3, 4, 5, 6, 8, 10, 12	F by F G by G F by G	300
*NRS	388FF-250 388GG-250 388FG-250	2.5, 3, 4, 5, 6, 8, 10, 12	F by F G by G F by G	250
OS&Y	399FF-250 399GG-250 399FG-250	2, 2.5, 3, 4, 5, 6, 8, 10, 12	F by F G by G F by G	250
*NRS	388FF-200 388GG-200 388FG-200	2.5, 3, 4, 5, 6, 8, 10, 12	F by F G by G F by G	200
OS&Y	399FF-200 399GG-200 399FG-200	2, 2.5, 3, 4, 5, 6, 8, 10, 12	F by F G by G F by G	200
*NRS	322FF-300 322GG-300 322FG-300	2.5, 3, 4, 5, 6, 8, 10, 12	F by F G by G F by G	300
*NRS	322FM-300 322MJ-300	3, 4, 6, 8, 10, 12	F by M M by M	300
OS&Y	333FF-300 333FG-300 333GG-300	2, 2.5, 3, 4, 5, 6, 8, 10, 12	F by F F by G G by G	300
OS&Y	333FM-300 333MJ-300	3, 4, 6, 8, 10, 12	F by M M by M	300
*NRS	322FF-250 322GG-250 322FG-250	2.5, 3, 4, 5, 6, 8, 10, 12	F by F G by G F by G	250
*NRS	322FM-250 322MJ-250	3, 4, 6, 8, 10, 12	F by M M by M	250
OS&Y	333FF-250 333FG-250 333GG-250	2, 2.5, 3, 4, 5, 6, 8, 10, 12	F by F G by G F by G	250

OS&Y	333FM-250 333MJ-250	3, 4, 6, 8, 10, 12	F by M M by M	250
*NRS	322FF-200 322GG-200 322FG-200	2.5, 3, 4, 5, 6, 8, 10, 12	F by F G by G F by G	200
*NRS	322FM-200 322MJ-200	3, 4, 6, 8, 10, 12	F by M M by M	200
OS&Y	333FF-200 333FG-200 333GG-200	2, 2.5, 3, 4, 5, 6, 8, 10, 12	F by F G by G F by G	200
OS&Y	333FM-200 333MJ-200	3, 4, 6, 8, 10, 12	F by M M by M	200
OS&Y	333FF	14, 16, 18	F by F	250
		20, 24	F by F	200
NRS	322FF	14, 16, 18	F by F	250
		20, 24	F by F	200

\*NRS valve provided with a Post Indicator Flange

Last Updated on 2016-08-09

[Questions?](#)

[Print this page](#)

[Terms of Use](#)

[Page Top](#)

◆ 2016 UL LLC

The appearance of a company's name or product in this database does not in itself assure that products so identified have been manufactured under UL's Follow-Up Service. Only those products bearing the UL Mark should be considered to be Certified and covered under UL's Follow-Up Service. Always look for the Mark on the product.

UL permits the reproduction of the material contained in the Online Certification Directory subject to the following conditions: 1. The Guide Information, Assemblies, Constructions, Designs, Systems, and/or Certifications (files) must be presented in their entirety and in a non-misleading manner, without any manipulation of the data (or drawings). 2. The statement "Reprinted from the Online Certifications Directory with permission from UL" must appear adjacent to the extracted material. In addition, the reprinted material must include a copyright notice in the following format: "© 2016 UL LLC".



# Certificate of Compliance

This certificate is issued for the following:

## Fire Service Water Control Valves

Model **333 Outside Screw & Yoke (OS&Y) Type and  
Model 322 Non-Rising Stem (NRS) Type**

Sizes: **2, 2-1/2, 3, 4, 5, 6, 8, 10 and 12 inch NPS**

### Prepared for:

**Tianjin Galaxy Valve Co. Ltd.  
No. 15 Tianhua Road  
Baltai Industrial Area  
Jinnan District, Tianjin 300350  
China**

### Manufactured at:

**Tianjin Galaxy Valve Co. Ltd.  
No. 15 Tianhua Road  
Baltai Industrial Area  
Jinnan District, Tianjin 300350  
China**

FM Approvals Standard 1120, 1130: Fire Service Water Control Valves  
(OS&Y and NRS Type Gate Valves), dated April 1997

Approval Identification: 0003059183

Approval Granted: March 3, 2017

To verify the availability of the Approved product, please refer to [www.approvalguide.com](http://www.approvalguide.com)

Said Approval is subject to satisfactory field performance, continuing Surveillance Audits, and strict conformity to the constructions as shown in the Approval Guide, an online resource of FM Approvals.

A handwritten signature in black ink, appearing to read 'D. B. Fuller', written over a horizontal line.

David B. Fuller  
AVP, Manager - Fire Protection  
FM Approvals  
1151 Boston-Providence Turnpike  
Norwood, MA 02062 USA



*Member of the FM Global Group*