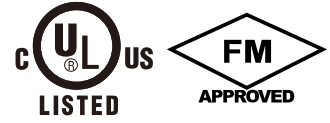


Gate Valve

Resilient Seated NRS Type-Flanged Ends

Fig. 322FF-300



Valve Standard

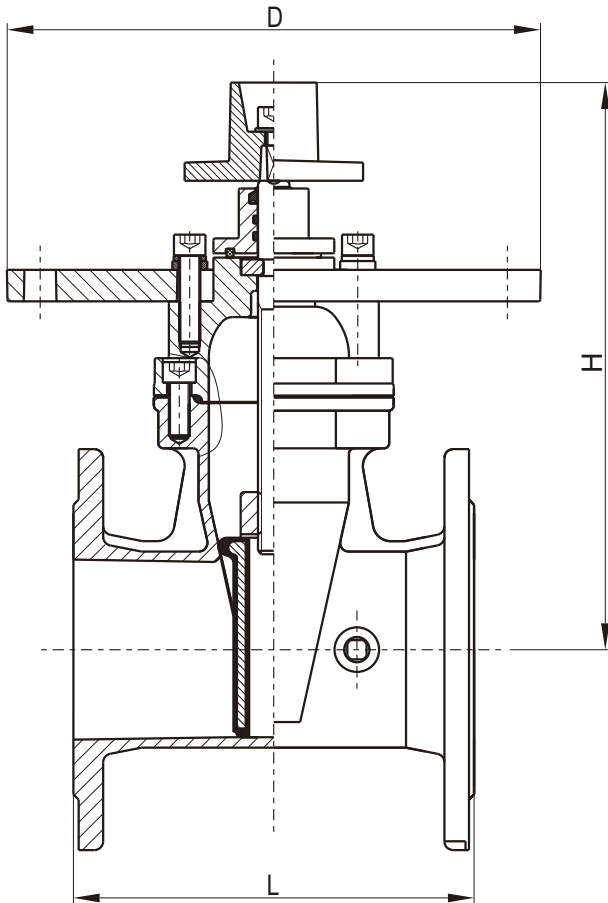
Conforms to AWWA C515 / BS5163

Working pressure

300 PSI

Connection Ends

ANSI B16.1 Class 150



Materials List

Part Name	Material	Specification
Body	Ductile Iron	A536 65-45-12
Wedge Disc	Ductile Iron EPDM Coated	
Disc Nut	Bronze	ASTM B62
Stem	Stainless Steel	AISI 304/302
Gasket	EPDM	Commercial
Bonnet	Ductile Iron	A536 65-45-12
Thrust Collar	Bronze	ASTM B62
Gland	Ductile Iron	A536 65-45-12
Wrench Nut	Ductile Iron	A536 65-45-12
Post Plate	Ductile Iron	A536 65-45-12

Dimensions(mm/inch):

SIZE	mm	50	65	80	100	125	150	200	250	300
	inch	2	2 1/2	3	4	5	6	8	10	12
L	mm	178	191	203	229	254	267	292	330	356
	inch	7.00	7.50	8.00	9.00	10.00	10.50	11.50	13.00	14.00
H	mm	279	279	305	324	394	428	537	640	723
	inch	10.98	10.98	12.01	12.76	15.51	16.85	21.14	25.20	28.46
D	mm	305	305	305	305	305	305	305	305	305
	inch	12.01	12.01	12.01	12.01	12.01	12.01	12.01	12.01	12.01



HMRZ.EX15668 Gate Valves

Page Bottom

Gate Valves

See General Information for Gate Valves

TIANJIN GALAXY VALVE CO LTD

EX15668

15 Tianhua Rd
Balitai Industrial Area
Jinnan District
300350 Tianjin, CHINA

Resilient Seated Gate Valves.

Pattern	Model	Size, in.	End Configuration	Rated Pressure, psig
*NRS	388FF-300 388GG-300 388FG-300	2.5, 3, 4, 5, 6, 8, 10, 12	F by F G by G F by G	300
OS&Y	399FF-300 399GG-300 399FG-300	2, 2.5, 3, 4, 5, 6, 8, 10, 12	F by F G by G F by G	300
*NRS	388FF-250 388GG-250 388FG-250	2.5, 3, 4, 5, 6, 8, 10, 12	F by F G by G F by G	250
OS&Y	399FF-250 399GG-250 399FG-250	2, 2.5, 3, 4, 5, 6, 8, 10, 12	F by F G by G F by G	250
*NRS	388FF-200 388GG-200 388FG-200	2.5, 3, 4, 5, 6, 8, 10, 12	F by F G by G F by G	200
OS&Y	399FF-200 399GG-200 399FG-200	2, 2.5, 3, 4, 5, 6, 8, 10, 12	F by F G by G F by G	200
*NRS	322FF-300 322GG-300 322FG-300	2.5, 3, 4, 5, 6, 8, 10, 12	F by F G by G F by G	300
*NRS	322FM-300 322MJ-300	3, 4, 6, 8, 10, 12	F by M M by M	300
OS&Y	333FF-300 333FG-300 333GG-300	2, 2.5, 3, 4, 5, 6, 8, 10, 12	F by F G by G F by G	300
OS&Y	333FM-300 333MJ-300	3, 4, 6, 8, 10, 12	F by M M by M	300
*NRS	322FF-250 322GG-250 322FG-250	2.5, 3, 4, 5, 6, 8, 10, 12	F by F G by G F by G	250
*NRS	322FM-250 322MJ-250	3, 4, 6, 8, 10, 12	F by M M by M	250
OS&Y	333FF-250 333FG-250 333GG-250	2, 2.5, 3, 4, 5, 6, 8, 10, 12	F by F G by G F by G	250

OS&Y	333FM-250 333MJ-250	3, 4, 6, 8, 10, 12	F by M M by M	250
*NRS	322FF-200 322GG-200 322FG-200	2.5, 3, 4, 5, 6, 8, 10, 12	F by F G by G F by G	200
*NRS	322FM-200 322MJ-200	3, 4, 6, 8, 10, 12	F by M M by M	200
OS&Y	333FF-200 333FG-200 333GG-200	2, 2.5, 3, 4, 5, 6, 8, 10, 12	F by F G by G F by G	200
OS&Y	333FM-200 333MJ-200	3, 4, 6, 8, 10, 12	F by M M by M	200
OS&Y	333FF	14, 16, 18	F by F	250
		20, 24	F by F	200
NRS	322FF	14, 16, 18	F by F	250
		20, 24	F by F	200

*NRS valve provided with a Post Indicator Flange

Last Updated on 2016-08-09

[Questions?](#)

[Print this page](#)

[Terms of Use](#)

[Page Top](#)

◆ 2016 UL LLC

The appearance of a company's name or product in this database does not in itself assure that products so identified have been manufactured under UL's Follow-Up Service. Only those products bearing the UL Mark should be considered to be Certified and covered under UL's Follow-Up Service. Always look for the Mark on the product.

UL permits the reproduction of the material contained in the Online Certification Directory subject to the following conditions: 1. The Guide Information, Assemblies, Constructions, Designs, Systems, and/or Certifications (files) must be presented in their entirety and in a non-misleading manner, without any manipulation of the data (or drawings). 2. The statement "Reprinted from the Online Certifications Directory with permission from UL" must appear adjacent to the extracted material. In addition, the reprinted material must include a copyright notice in the following format: "© 2016 UL LLC".



Certificate of Compliance

This certificate is issued for the following:

Fire Service Water Control Valves

**Model 333 Outside Screw & Yoke (OS&Y) Type and
Model 322 Non-Rising Stem (NRS) Type**

Sizes: 2, 2-1/2, 3, 4, 5, 6, 8, 10 and 12 inch NPS

Prepared for:

**Tianjin Galaxy Valve Co. Ltd.
No. 15 Tianhua Road
Baltai Industrial Area
Jinnan District, Tianjin 300350
China**

Manufactured at:

**Tianjin Galaxy Valve Co. Ltd.
No. 15 Tianhua Road
Baltai Industrial Area
Jinnan District, Tianjin 300350
China**

FM Approvals Standard 1120, 1130: Fire Service Water Control Valves
(OS&Y and NRS Type Gate Valves), dated April 1997

Approval Identification: 0003059183

Approval Granted: March 3, 2017

To verify the availability of the Approved product, please refer to www.approvalguide.com

Said Approval is subject to satisfactory field performance, continuing Surveillance Audits, and strict conformity to the constructions as shown in the Approval Guide, an online resource of FM Approvals.

A handwritten signature in black ink, appearing to read 'D. B. Fuller', written over a horizontal line.

David B. Fuller
AVP, Manager - Fire Protection
FM Approvals
1151 Boston-Providence Turnpike
Norwood, MA 02062 USA



Member of the FM Global Group