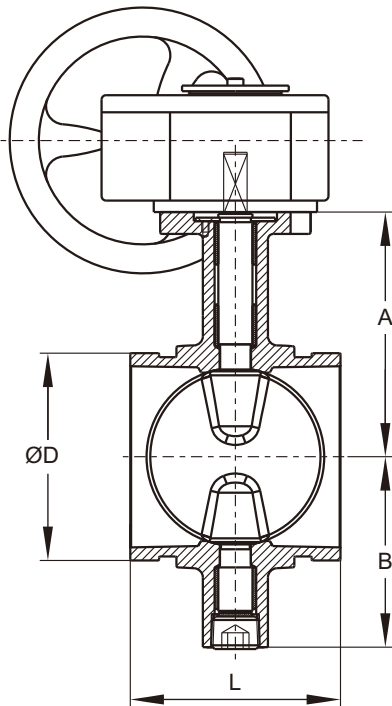


# AWWA C606/BS1387

Grooved End Butterfly Valves

Fig. 2702



**Valve Standard :**  
Comply with MSS-SP67

### Pressure Temperature Ratings

Working pressure	16bar
Testing Pressure	Seal: 17.6bar/27.5bar
Working Temperature	-20 °C to 110 °C EPDM Seat
Suitable Media	Water, Oil & Gas

### Material Specification

Part	Material	ASTM
Body	Ductile Iron	A536 Gr. 65-45-12
Disc	Ductile Iron+EPDM	A536 Gr. 65-45-12
Shaft	Stainless Steel	A276 S 410 00
Seat Ring	EPDM	
O-Ring	EPDM	
Bushing	Bronze	B62 C83600

### Dimensions

DN	mm	50	65	80	100	125	150	200	250	300
	inch	2	2-1/2	3	4	5	6	8	10	12
A		95	98	105	135	148	165	204	245	277.5
B		78	78	85	105	128	140	170	205	258.3
L		84.5	98	98	116	149	147.1	133.5	160	165
ØD		60.3	73	88.9	114.3	141.3	168.3	219.1	273	323.8

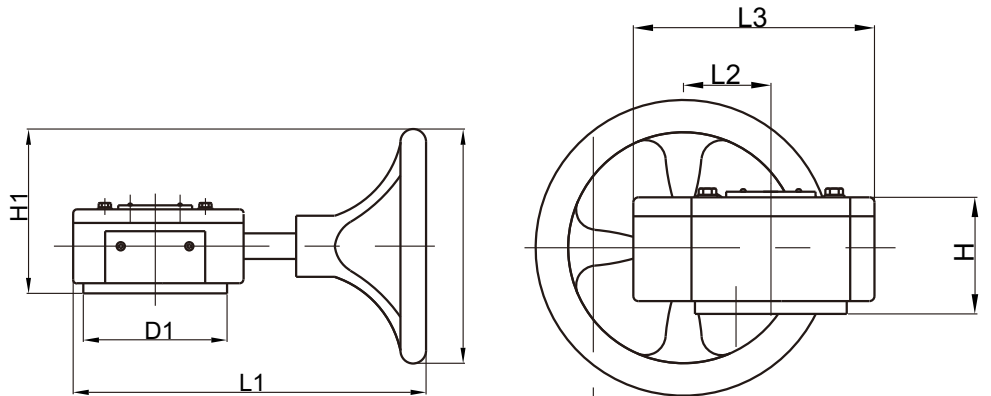
**Gear Box**

1-Stage Transmission



**Material Specification**

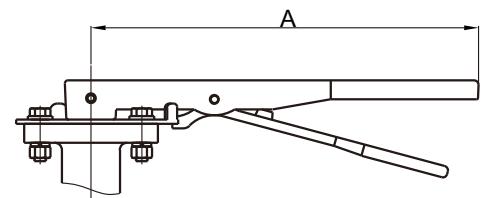
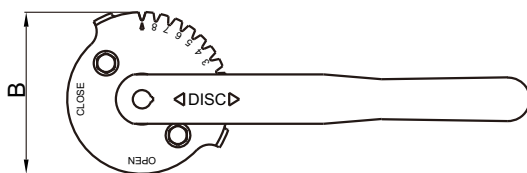
Part	Material	Part	Material
Housing	Cast Iron	Worm	Carbon Steel
Cover	Cast Iron	Worm Gear	Ductile Iron
Handwheel	Cast Iron	Shaft	Carbon Steel



**Dimensions**

Model	Concentric Valve Size		D1	Ø	H	H1 mm	L1	L2	L3	Output Torque NM	Rate
	inch	mm									
3D-15	2-6	50-150	108	145	65	113	212	45	129	200	24:1
3D-50	8-10	200-250	146	285	70	182	305	62	171	500	30:1
3D-120	12-14	300-350	165	285	77	182	300	85	198	1200	50:1
XJ80	16-18	400-450	234	385	103	247	423	120	280	2500	80:1
XJ300	20-24	500-600	276	385	143	270	490	122	316	4000	293.5:1

**Lever Operator Type 1**



**Dimensions**

DN	mm		inch	
	50-150	200-300	2-6	8-12
A (mm)	266	357		
B (mm)	110	163		

**Material Specification**

Part	Material
Lever	Malleable Iron
Top Plate	Stainless Steel 304