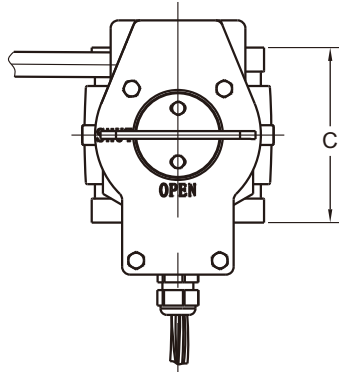
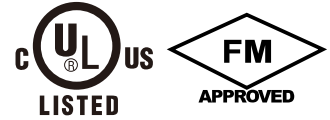


Butterfly Valve

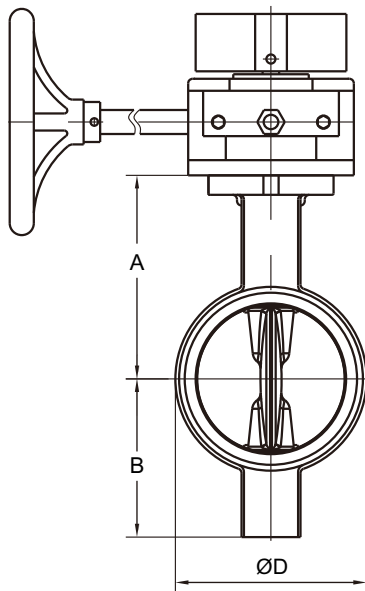
Resilient Seated Grooved Ends

Fig 25GG-300



Working pressure
300PSI

Connection Ends
AWWA C606



Materials List

Component	Material	Specification
Body	Ductile Iron	A536 65-45-12
Disc	Ductile Iron EPDM Coated	
Upper&Lower Stems	Stainless Steel	AISI 410
Worn Gear Shaft	Stainless Steel	AISI 410
Housing	Cast Iron	A126 B
Hand Wheel	Ductile Iron	A536 65- 45-12B
O-Rings(All)	EPDM Grade"E"	

Dimensions(mm/inch)

SIZE	mm	50	65	80	100	125	150	200	250	300
	inch	2	2½	3	4	5	6	8	10	12
A	mm	95	98	105	135	148	165	204	245	277.5
	inch	3.74	3.87	4.13	5.31	5.83	6.50	8.03	9.65	10.93
B	mm	78	78	85	105	128	140	170	205	258
	inch	3.07	3.07	3.35	4.13	5.04	5.51	6.69	8.07	10.16
C	mm	84.5	98	98	116	149	147.6	134	160	165
	inch	3.33	3.86	3.86	4.57	5.87	5.81	5.28	6.30	6.50
ØD	mm	72	88	98	127	156	185	235	292	323.85
	inch	2.83	3.46	3.86	5.00	6.14	7.28	9.25	11.49	12.75

Factory installed UL, listed double Tamper Switches For indoor and Outdoor Use.

CERTIFICATE OF COMPLIANCE

Certificate Number 20170425-EX15958
Report Reference EX15958-20170424
Issue Date 2017-APRIL-25

Issued to: TIANJIN GALAXY VALVE CO LTD
15 Tianhua Rd
Balitai Industrial Area
Jinnan District
Tianjin 300350 CHINA

**This is to certify that
representative samples of**

BUTTERFLY VALVES

See addendum page for models.

Have been investigated by UL in accordance with the
Standard(s) indicated on this Certificate.

Standard(s) for Safety:


UL 753, Standard for Alarm Accessories for Automatic
Water-Supply Control Valves for Fire Protection Service
UL 38, Standard for Manual Signaling Boxes for Fire Alarm
Systems
UL746A, Standard for Polymeric Materials – Short Term
Property Evaluations
UL 1091 and ULC/ORD-C1091-1974, Standard for Butterfly
Valves for Fire-Protection Service

Additional Information:

See the UL Online Certifications Directory at
www.ul.com/database for additional information

Only those products bearing the UL Certification Mark should be considered as being covered by UL's
Certification and Follow-Up Service.

Look for the UL Certification Mark on the product.



Bruce Mahrenholz, Director North American Certification Program
UL LLC

Any information and documentation involving UL Mark services are provided on behalf of UL LLC (UL) or any authorized licensee of UL. For questions, please
contact a local UL Customer Service Representative at <http://ul.com/aboutul/locations/>



CERTIFICATE OF COMPLIANCE

Certificate Number 20170425-EX15958
Report Reference EX15958-20170424
Issue Date 2017-APRIL-25

This is to certify that representative samples of the product as specified on this certificate were tested according to the current UL requirements.

UL

Model	Size, NPS	Body Type	Pressure Rating, psig	Indicator Post	Supervisory Switch*
Butterfly valve					
25GG	2.5, 2.5(76.1mm)	Groove	300	N/A	I/O
			250		
			200		
25W	2.5	Wafer	300		
			250		
			200		
25L	2.5	Lug	300		
			250		
			200		

UL, CNL

Model	Size, NPS	Body Type	Pressure Rating, psig	Indicator Post	Supervisory Switch*
Butterfly valve					
25GG	3,4,5(139.7mm),5,6(165.1mm),6,8,10,12	Groove	300	N/A	I/O
			250		
			200		
25W	3,4,5,6,8,10,12	Wafer	300		
			250		
			200		
25L	3,4,5,6,8,10,12	Lug	300		
			250		
			200		

Note: * I = Indoor installation; O = Outdoor installation

For the valve sizes 6 in. and smaller, configured with ratio 1:24 operator; for the valve sizes 8 in. and larger, configured with ratio 1:30 operator.



Bruce Mahrenholz, Director North American Certification Program
UL LLC

Any information and documentation involving UL Mark services are provided on behalf of UL LLC (UL) or any authorized licensee of UL. For questions, please contact a local UL Customer Service Representative at <http://ul.com/aboutul/locations/>





Certificate of Compliance

This certificate is issued for the following:

Indicating Butterfly Valves

Models **25G-300**, Model 25W-300, and Model 25L-300
Sizes 50, 65, 80 and 100 mm DN

Maximum Working Pressure: 300 psi (2070 kPa)

Prepared For:

Tianjin Galaxy Valve Co., Ltd.
No. 15 Tianhua Road
Balitai Industrial Area
Jinnan District, Tianjin
Peoples Republic of China, 300350

Manufactured at:

Tianjin Galaxy Valve Co., Ltd.
No. 15 Tianhua Road
Balitai Industrial Area
Jinnan District, Tianjin
Peoples Republic of China, 300350

FM Approvals Class: 1112, dated August 2006

Approval Identification: 0003058730

Approval Granted: May 2, 2017

To verify the availability of the Approved product, please refer to www.approvalguide.com

Said Approval is subject to satisfactory field performance, continuing Surveillance Audits, and strict conformity to the constructions as shown in the Approval Guide, an online resource of FM Approvals.

A handwritten signature in black ink that reads 'D.B. Fuller'.

David B. Fuller
AVP – Manager, Fire Protection
FM Approvals
1151 Boston-Providence Turnpike
Norwood, MA 02062 USA



Member of the FM Global Group