



Note: RoHS applies only to SS thermowell

Description & Features:

- An all-purpose, economical thermometer with a vertical sensing tube and case
- Separable thermowell
- Impact resistant ABS case
- Red liquid-in glass
- Dual scale (°F & °C)
- Back or bottom connected
- ½" NPT process connection
- 5 year warranty

Applications:

- Hot water lines, boilers, heating, ventilation and air conditioning

Specifications	
Scale	Aluminum, painted white with black markings
Case	5" (125mm) black ABS
Lens	Glass
Tube	Glass, cushioned
Sensing Liquid	Kerosene, tinted red
Stem	Brass
Swivel Nut	Brass
Thermowell	Brass ½" NPT standard
Operating Pressure	Maximum 710 psi (50 kg/cm ²)
Ambient Temperature	-40°F to 122°F (-40°C to 50°C)
Process Temperature	-40°F to 400°F (-40°C to 200°C)
Accuracy	±2% of full scale
Enclosure Rating	IP50

Distributed by:

TAS Industrial 5AS Thermometer

Order Codes (products in bold are normally in stock)

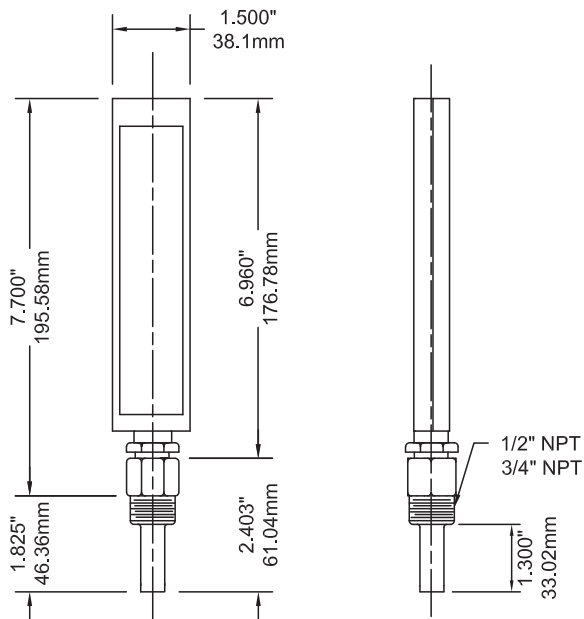
Ranges	Straight	Angle
-40°F to 110°F & -40°C to 40°C	TAS130	TAS140
20°F to 180°F & -5°C to 80°C	TAS131	TAS141
30°F to 240°F & 0°C to 115°C	TAS132	TAS150
30°F to 300°F & 0°C to 150°C	TAS134	TAS143
50°F to 400°F & 10°C to 200°C	TAS133	TAS142

Thermowell

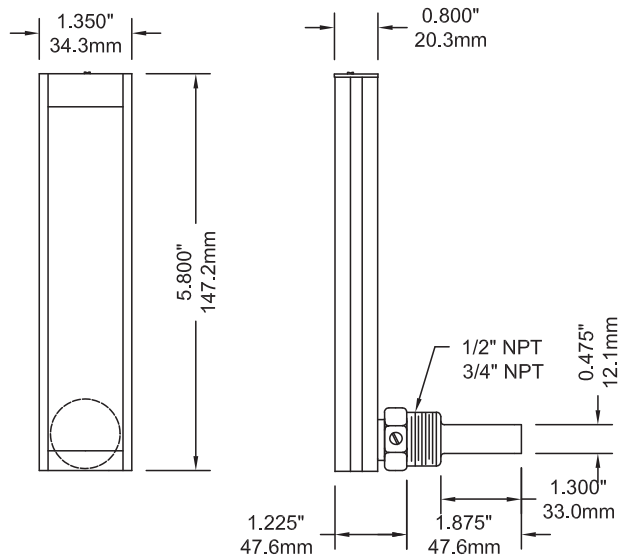
Connection	Material	Code
1/2" NPT - Standard (Included with thermometer)	Brass	TAS62
1/2" NPT - Optional	304 SS	TAS62-1
3/4" NPT - Optional	Brass	TAS64
3/4" NPT - Optional	304 SS	TAS64-1

Other ranges and connection sizes available upon request. 304 SS thermowell available upon request. Plastic lens available upon request. 3/4" NPT connection available upon request.

Straight



Angled



Distributed by: