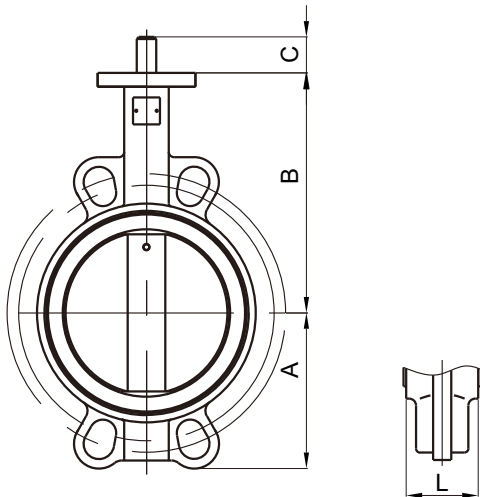


PN16

Wafer Butterfly Valves

Fig. 2302



**Valve Standard :**

Comply with ISO 5752/BS 5155/  
BS EN 593/MSS SP-67/API 609



**Pressure Temperature Ratings**

Working pressure	16bar
Testing Pressure	Shell:24bar Seal:17.6bar
Working Temperature	-20 °C to 110 °C EPDM Seat
Suitable Media	Water,Oil&Gas

**Flange Drilled to :**

ANSI 150

**Material Specification**

Part	Material	ASTM
Body	Cast Iron	A126 Class B
Disc	Ductile Iron	A536 Gr. 65-45-12
Shaft	Stainless Steel	A276 S 410 00
Seat Ring	EPDM	
O-Ring	EPDM	
Bushing	Bronze	B62 C83600

**NOTE :**

ONLY DN50-DN300 DOUBLE SHAFT DESIGNED VALVES ARE WRAS APPROVED.

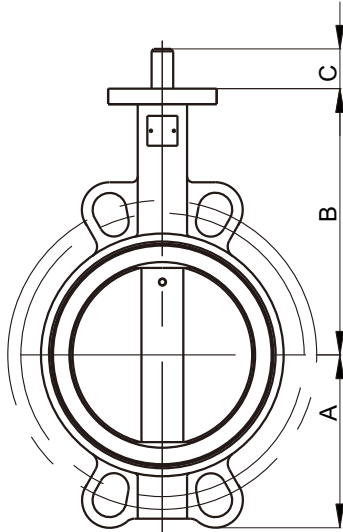
**Dimensions**

DN	mm	50	65	80	100	125	150	200	250	300	350	400
	inch	2	2-1/2	3	4	5	6	8	10	12	14	16
A		80	89	95	114	127	139	175	203	242	267	316
B		161	175	181	200	213	226	260	292	337	368	400
C		30	30	30	30	30	30	34	34	34	40	52
L		42	45	45	51	55	55	60	67	76	76	102

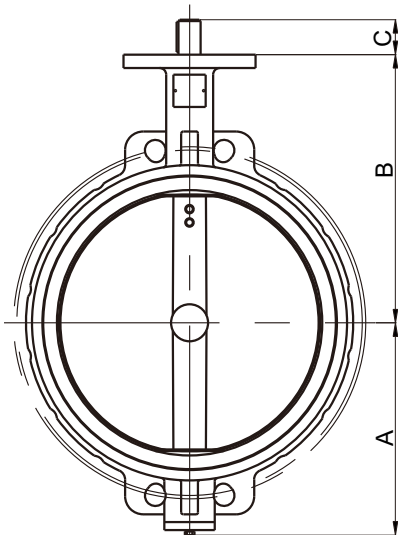
  

DN	mm	450	500	550	600	650	700	750	800	900	1000	1200	-
	inch	18	20	22	24	26	28	30	32	36	40	48	-
A		334	370	433	468	484	530	565	602	661	724	869	-
B		422	480	533	562	540	626	660	666	722	806	938	-
C		52	64	70	70	70	95	95	95	130	130	150	-
L		114	127	151	151	172	165	167	188	203	216	276	-

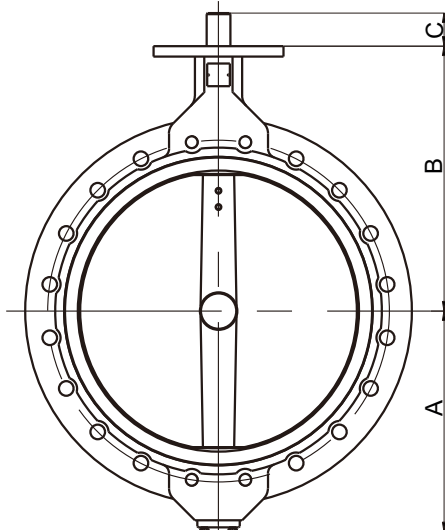
Appearance



Fit DN40-DN350 Wafer Butterfly valves



Fit DN400-DN500 Wafer Butterfly valves



Fit DN550-DN1200 Wafer Butterfly valves

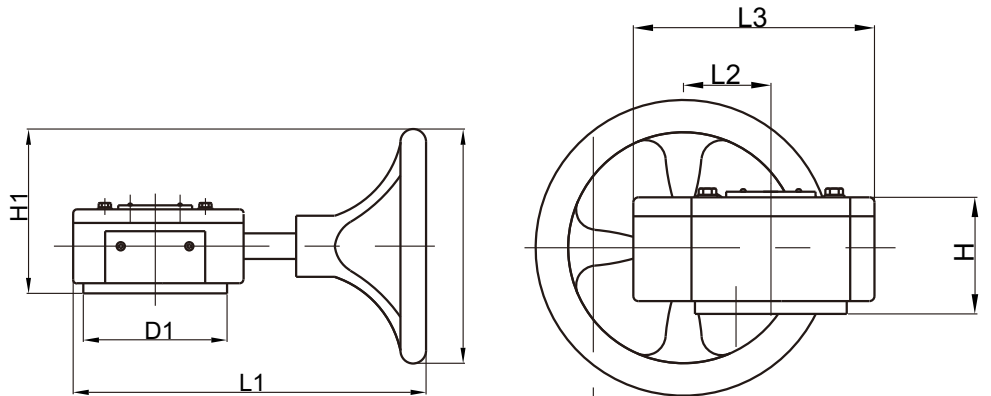
## Gear Box

1-Stage Transmission



### Material Specification

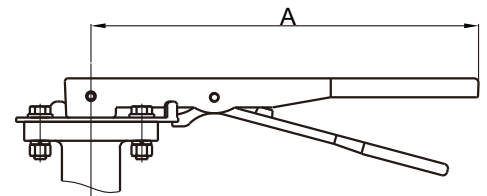
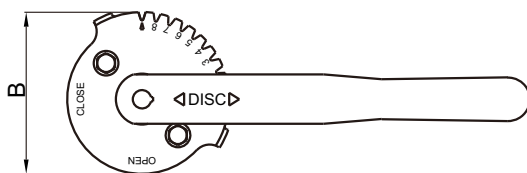
Part	Material	Part	Material
Housing	Cast Iron	Worm	Carbon Steel
Cover	Cast Iron	Worm Gear	Ductile Iron
Handwheel	Cast Iron	Shaft	Carbon Steel



### Dimensions

Model	Concentric Valve Size		D1	Ø	H	H1 mm	L1	L2	L3	Output Torque NM	Rate
	inch	mm									
3D-15	2-6	50-150	108	145	65	113	212	45	129	200	24:1
3D-50	8-10	200-250	146	285	70	182	305	62	171	500	30:1
3D-120	12-14	300-350	165	285	77	182	300	85	198	1200	50:1
XJ80	16-18	400-450	234	385	103	247	423	120	280	2500	80:1
XJ300	20-24	500-600	276	385	143	270	490	122	316	4000	293.5:1

## Lever Operator Type 1



### Dimensions

DN	mm		inch	
	50-150	200-300	2-6	8-12
A (mm)	266	357		
B (mm)	110	163		

### Material Specification

Part	Material
Lever	Malleable Iron
Top Plate	Stainless Steel 304



CERTIFICATION MARK

*This certifies that*

**TIANJIN GALAXY VALVE CO LTD**

---

*has had the undermentioned product examined, tested and found, when correctly installed, to comply with the requirements of the United Kingdom Water Supply (Water Fittings) Regulations and Scottish Water Byelaws.*

**2502 LUGGED SERIES & 2302 WAFER SERIES BUTTERFLY VALVES: DN50-600**

*The certificate by itself is not evidence of a valid WRAS Approval. Confirmation of the current status of an approval must be obtained from the WRAS Directory ([www.wras.co.uk/directory](http://www.wras.co.uk/directory))*

---

*The product so mentioned will be valid until the end of:*

**October 2021**

---

**1610332**

*Certificate No.*

Handwritten signature of J. Funnell in black ink.

---

*Secretary*

Handwritten signature of K. Lewis in black ink.

---

*Chairman, Product Assessment Group*