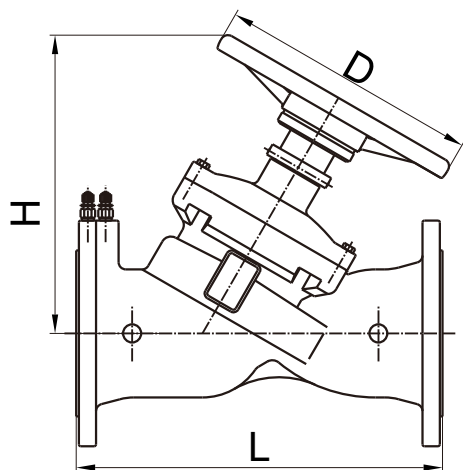


PN16

Fixed Orifice Double Regulating Valve

Fig. 1209-DF

Flange Drilled to ANSI 150 for Single Unit Systems Conforms to BS7350



### Specification

Single unit Y-pattern globe valves incorporating an integral orifice plate to form a fixed orifice flow measurement unit with regulation and isolation capacity. Valves conform to requirements of BS 7350.

### Application

Primarily used in injection or other circuits requiring a double regulating valve for systems balancing. Accuracy of flow measurement is  $\pm 5\%$  at all open positions of the valve in accordance with BS 7350.

### Pressure/Temperature Ratings

PN16	
Temperature °C	-10 to 120
Working Pressure(Bar)	16
Test Pressure(Bar)	Shell:24 Seat:17.6

### Materials

Part	Material	ASTM Specification
Body	Ductile	A536 65-45-12
Bonnet	Ductile	A536 65-45-12
Stem [65-300mm]	Stainless Steel 410	AISI 410
Stem [65-600mm]	Stainless Steel 431	AISI 431
Disc	EPDM Coated DI	A536 65-45-12
Gland [ 65-150mm ]	Brass	B124 C37700
Gland [ 200-600mm ]	Ductile	A536 65-45-12
Stem Nut	Brass	B124 C37700
Hand Wheel	Ductile	A536 65-45-12
Test Valve	Brass	B453 C35330
Orifice Insert	Brass	B124 C37700
Packing	Graphite	Non-Asbestos

### Dimensions, Coefficients

Size	Inch mm	2½ DN65	3 DN80	4 DN100	5 DN125	6 DN150	8 DN200	10 DN250	12 DN300	14 DN350	16 DN400	18 DN450	20 DN500	24 DN600
L		290	310	350	400	480	600	730	850	980	1100	1200	1250	1450
H		265	270	310	340	340	537	570	690	685	965	1020	1065	1180
D		200	200	240	290	290	350	420	420	420	640	640	640	640
Flow Kv		104	112	162	254	335	535	1099	1588	1635	2125	2698	3371	4091
Head los K		5.32	6.48	13.15	8.32	7.33	8.26	7.27	8.36	12.50	13.60	14.40	14.80	15.30
Kvs		104	116	213	333	476	768	1153	1743	1798	2338	2698	3708	4500