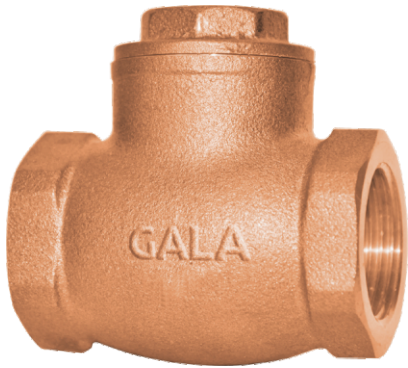


**CLASS 150**

Bronze Swing Check Valve (Threaded)

Fig. 5451

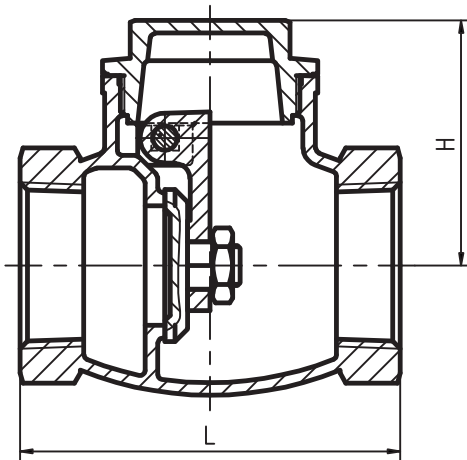


**Specification**

MSS SP-80  
 Screwed Cap • Swing Type Disc • Integral Seat  
 Threaded to BS 21 (ISO7) / ASME B1.20.1 / **NPT**  
 Size Range: 15mm(1/2")~100mm(4")

**Pressure Ratings**

Working Pressure	300 psi (20.7 bar) WOG Non-Shock 150 psi (10.3 bar) Saturated Steam
Testing Pressure	Shell: 450 psi (31 bar) Hydrostatic Seat: 330 psi (22.7bar) Hydrostatic 80 psi (5.5 bar) Air
Suitable Media	Water, Oil, Gas



**Material List**

Part Name	Material	ASTM	BS
Body	Bronze (Gunmetal)	B62 C83600	1400 LG2
Cap	Bronze (Gunmetal)	B62 C83600	1400 LG2
Disc	Brass	B124 C38800	2874 CZ122
Hinge Pin	Brass Rod	B124 C38800	2874 CZ122
Gasket	Non-Asbestos		

**Dimension**

DN	mm	15	20	25	32	40	50	65	80	100
	Inch	1/2	3/4	1	1-1/4	1-1/2	2	2-1/2	3	4
L		58	66	76	88	96	112	136	147	180
H		37	43	49	57.5	63	72	85	93	110