



U.S. Pat. No. 3921989  
Canadian Pat. No. 1009680  
Other Patents Pending  
Potter Electric, Rd., 1990

**FM Approved**

**Service Pressure:** Up to 450 PSI (31 BAR)

**Minimum Flow Rate for Alarm:** 10 GPM (38 LPM)

**Maximum Surge:** 18 FPS (5,5 m/s)

**Contact Ratings:** Two sets of SPDT (Form C)  
15.0 Amps at 125/250VAC  
2.0 Amps at 30VDC Resistive

**Conduit Entrances:** Two knockouts provided for 1/2" conduit

**Environmental Specifications:**

- Suitable for indoor or outdoor use with factory installed gasket and die-cast housing.
- NEMA 4/IP54 Rated Enclosure - use with appropriate conduit fitting.
- Temperature Range: 40°F/120°F, 4,5°C/49°C
- Non-corrosive sleeve factory installed in saddle.

**Caution:** This device is not intended for applications in explosive environments.

**Sizes Available:** Steel Pipe schedules 10 thru 40, sizes 2" thru 8"  
BS 1387 pipe 50mm thru 200mm

Note: For copper or plastic pipe use Model VSR-CF.

**Service Use:**

Automatic Sprinkler	NFPA-13
One or two family dwelling	NFPA-13D
Residential occupancy up to four stories	NFPA-13R
National Fire Alarm Code	NFPA-72

**Optional:** Cover Tamper Switch Kit, Stock No. 0090018

**GENERAL INFORMATION**

The Model VSR-F is a vane type waterflow switch for use on wet sprinkler systems. It is FM Approved for use on steel pipe; schedules 10 through 40, sizes 2" thru 8" (50mm thru 200mm).

The unit may also be used as a sectional waterflow detector on large systems.

The unit contains two single pole, double throw, snap action switches and an adjustable, instantly recycling pneumatic retard. The switches are actuated when a flow of 10 gallons per minute (38 LPM) or more occurs downstream of the device. The flow condition must exist for a period of time necessary to overcome the selected retard period.

**ENCLOSURE:** The unit is enclosed in a general purpose, die-cast housing. The cover is held in place with two tamper resistant screws which require a special key for removal. A field installable cover tamper switch is available as an option which may be used to indicate unauthorized removal of the cover. See bulletin no. 5400775 for installation instructions of this switch.

**INSTALLATION:** See Fig.2

These devices may be mounted on horizontal or vertical pipe. On horizontal pipe they should be installed on the top side of the pipe where they will be accessible. The units should not be installed within 6" (15cm) of a fitting which changes the direction of the waterflow or within 24" (60 cm) of a valve or drain.

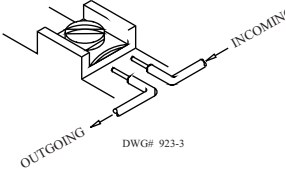
Drain the system and drill a hole in the pipe using a circular saw in a slow speed drill. The 2" (50mm) and 2 1/2" (65mm) devices require a hole with a diameter of 1 1/4" + 1/8" - 1/16" (33mm ±2mm). All other sizes require a hole with a diameter of 2" ±1/8" (50mm ±2mm).

Clean the inside pipe of all growth or other material for a distance equal to the pipe diameter on either side of the hole.

Roll the vane so that it may be inserted into the hole; do not bend or crease it. Insert the vane so that the arrow on the saddle points in the direction of the waterflow. Install the saddle strap and tighten nuts alternately to an eventual 20 ft-lbs. (27 n-m) of torque (see Fig. 2). The vane must not rub the inside of the pipe or bind in any way.

Specifications subject to change without notice.

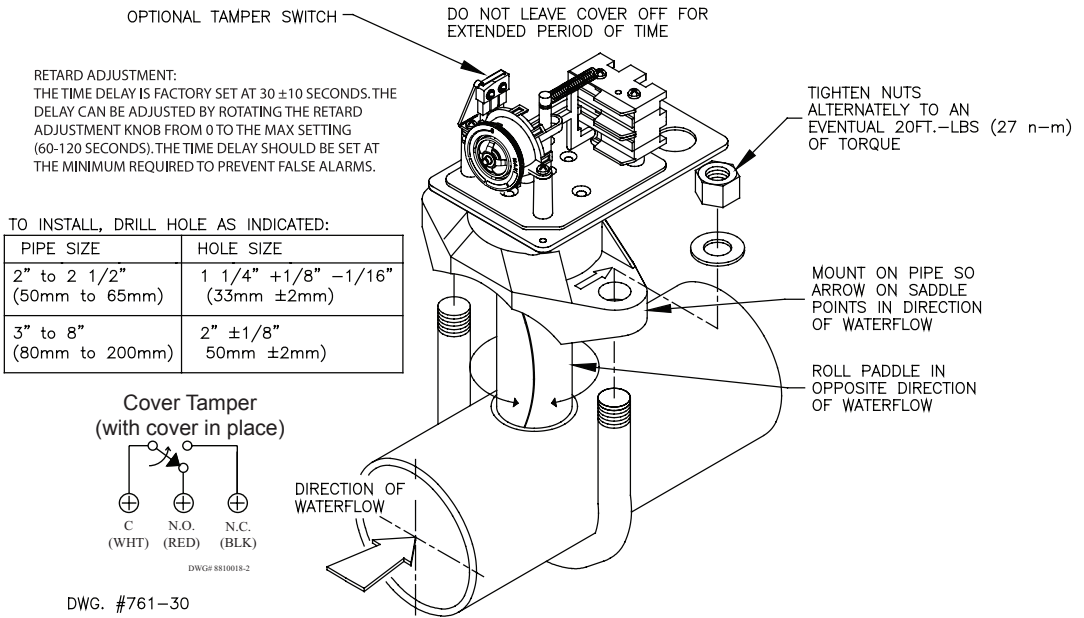
**FIG. 1**  
**SWITCH TERMINAL CONNECTIONS**  
**CLAMPING PLATE**  
**TERMINAL**



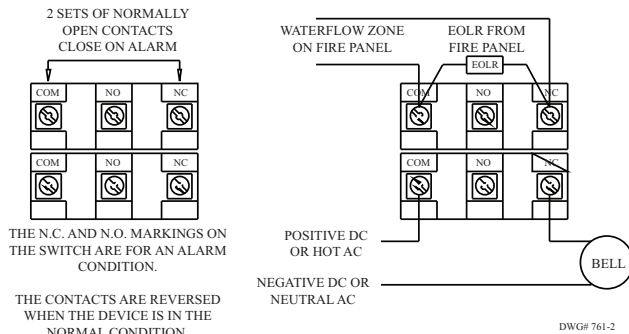
**CAUTION**

An uninsulated section of a single conductor should not be looped around the terminal and serve as two separate connections. The wire must be severed, thereby providing supervision of the connection in the event that the wire becomes dislodged from under the terminal.

**FIG. 2**



**FIG. 3** TYPICAL ELECTRICAL CONNECTIONS

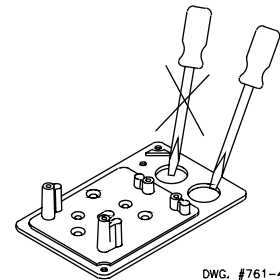


**NOTES:**

1. The Model VSR-F has two switches, one can be used to operate a central station, proprietary or remote signaling unit, while the other contact is used to operate a local audible or visual annunciator.
2. For supervised circuits see "Switch Terminal Connections" drawing and caution note (Fig. 1).

**FIG. 4**

To remove knockouts: Place screwdriver at edge of knockouts, not in the center.



**CAUTION**

Due to the possibility of unintended discharges caused by pressure surges, trapped air, or short retard times, waterflow switches that are monitoring wet pipe sprinkler systems shall not be used as the sole initiating device to discharge AFFF, deluge, or chemical suppression systems.

**TESTING**

The frequency of inspection and testing for the model VSR-F and its associated protective monitoring system should be in accordance with applicable NFPA Codes and Standards and/or the authority having jurisdiction (manufacturer recommends quarterly or more frequently). If provided, the inspector's test valve, that is usually located at the end of the most remote branch line, should always be used for test purposes. If there are no provisions for testing the operation of the flow detection device on the system, application of the VSR-F is not recommended or advisable.

A minimum flow of 10 gpm (38 Lpm) is required to activate this device.

**IMPORTANT NOTICE:** Please advise the person responsible for testing of the fire protection system that this system must be tested in accordance with the testing instructions.