

Y Strainer

300PSI - Flange-Flange Ends

Fig. 70FF

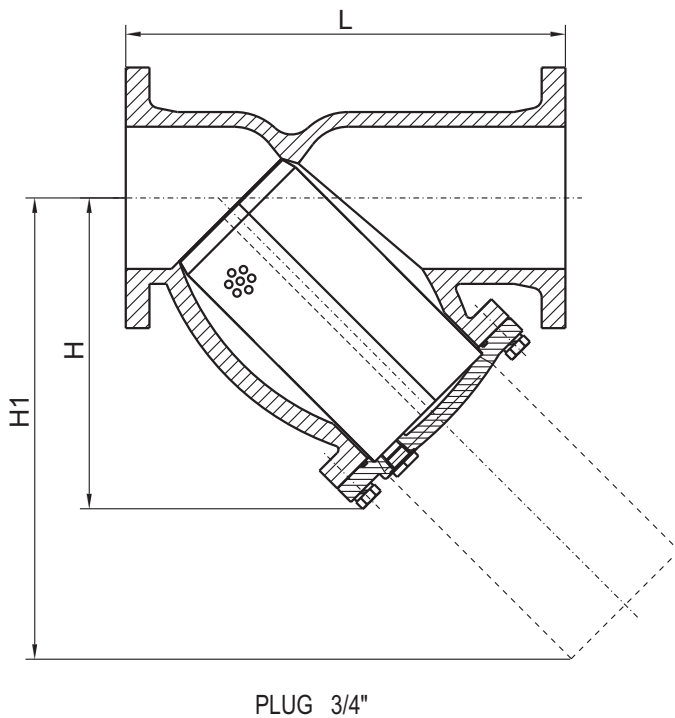


Working pressure
21 Bar/ 300 PSI

Flanged Ends
ANSI B16.1 Class 150

Materials List

Component	Material	Specification
Body	Ductile Iron	A536 65-45-12
Cover	Ductile Iron	A536 65-45-12
Screen	Stainless Steel	AISI 304
Gasket	EPDM	
Plug	Carbon Steel	



Dimensions(mm/inch)

SIZE	mm	50	65	80	100	125	150	200	250	300
	inch	2	2½	3	4	5	6	8	10	12
L	mm	203	254	260	308	398	472	550	654	762
	inch	7.99	10	10.24	12.13	15.67	18.58	21.65	25.75	30
H	mm	132	158	175	202	290	334	391	460	590
	inch	5.20	6.22	6.89	7.99	11.42	13.15	15.39	18.11	23.23
H1	mm	195	240	270	320	425	495	570	700	840
	inch	7.68	9.45	10.63	12.60	16.73	19.49	22.44	27.56	33.07

CERTIFICATE OF COMPLIANCE

Certificate Number 20120724-EX15960
Report Reference EX15960-20120711
Issue Date 2012-JULY-24

Issued to: TIANJIN GALAXY VALVE CO LTD
15 TIANHUA RD
BALITAI INDUSTRIAL AREA
JINNAN DISTRICT
300350 TIANJIN CHINA

This is to certify that **STRAINERS**, PIPELINE
representative samples of **70FF**, 70GG, 70FG


Have been investigated by UL in accordance with the Standard(s) indicated on this Certificate.

Standard(s) for Safety: Subject 321 - Pipeline Strainers
ULC/ORD-C321 - Pipeline Strainers

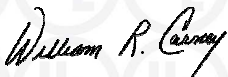
Additional Information: See the UL Online Certifications Directory at www.ul.com/database for additional information

Only those products bearing the UL Listing Mark for the US and Canada should be considered as being covered by UL's Listing and Follow-Up Service meeting the appropriate requirements for US and Canada.

The UL Listing Mark for the US and Canada generally includes: the UL in a circle symbol with "C" and

"US" identifiers:  the word "LISTED"; a control number (may be alphanumeric) assigned by UL; and the product category name (product identifier) as indicated in the appropriate UL Directory.

Look for the UL Listing Mark on the product.



William R. Carney, Director, North American Certification Programs
UL LLC

Any information and documentation involving UL Mark services are provided on behalf of UL LLC (UL) or any authorized licensee of UL. For questions, please contact a local UL Customer Service Representative at www.ul.com/contactus

