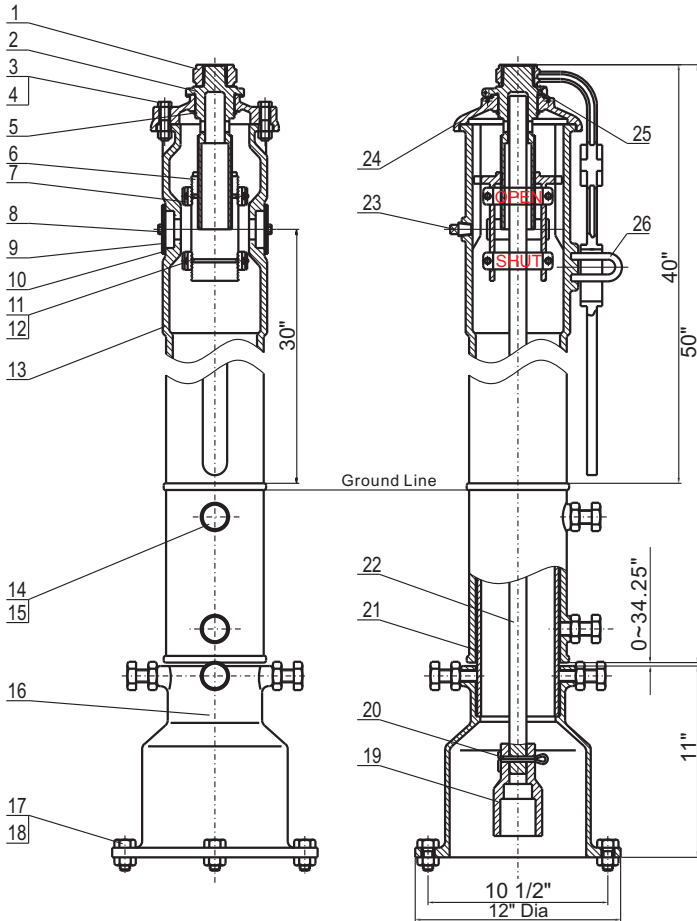
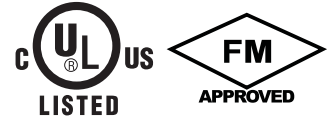


Gate Valve

Indicator Post - Underground Type

Fig.G388



Materials List

DET	QTY.	Description	Material
1	1	Locking Wrench	ASTM A126B
2	1	Operating Nut	ASTM B62
3	2	Hex Nut Screw	ASTM A105
4	2	Hex Nut	ASTM A105
5	1	Snap Ring	AISI 066
6	1	Target Carrier Nut	ASTM B62
7	4	Target	ASTM B108
8	4	Hex Cap Screw	ASTM A105
9	2	Window Glass	LEXAN-UM
10	2	Window Glass Gasket	PTFE
11	4	Hex Cap Screw	ASTM A105
12	4	Hex Nut	ASTM A105
13	1	Body	ASTM A536
14	6	Hex Cap Screw	ASTM A105
15	6	Hex Nut	ASTM A105
16	1	Base Flange	ASTM A126B
17	4	Hex Cap Screw	ASTM A105
18	4	Hex Nut	ASTM A105
19	1	Crane Coupling	ASTM A536
20	1	Cotter Pin	AISI 304
21	1	Stand Pipe	ASTM A53
22	1	Stem	AISI 1045
23	1	Plug	AISI 304
24	1	Cover	ASTM A126B
25	1	Cross Recessed Countersunk Head Screw	AISI 304
26	1	Locking Nose	ASTM 307 B

Field Adjustment:

1. Remove the top section from the top of the Indicator Post assembly.
2. Cut the required length off the bottom of the Standpipe for the Ground Line to match up with Standpipe Ground Line mark.
3. Set the "OPEN" and "SHUT" targets for the appropriate valve size.
4. Reattach the Top Section to the top of the Indicator Post assembly.
5. Design and dimensions are subject to change without notice

CERTIFICATE OF COMPLIANCE

Certificate Number 20130703-EX15669
Report Reference EX15669-20130702
Issue Date 2013-JULY-03

Issued to: GALA RS INC
SUITE 201, 11200 WESTHEIMER RD
HOUSTON, TX, 77042, US


This is to certify that representative samples of Indicator Posts, Gate Valve
Underground type, adjustable length - **G388.**
Wall type - **W388**

Have been investigated by UL in accordance with the Standard(s) indicated on this Certificate.

Standard(s) for Safety: Standard for Indicator Posts for Fire-Protection Service - UL 789

Additional Information: See the UL Online Certifications Directory at www.ul.com/database for additional information

Only those products bearing the UL Listing Mark should be considered as being covered by UL's Listing and Follow-Up Service.

The UL Listing Mark generally includes the following elements: the symbol UL in a circle:  with the word "LISTED"; a control number (may be alphanumeric) assigned by UL; and the product category name (product identifier) as indicated in the appropriate UL Directory.

Look for the UL Listing Mark on the product.



William R. Carney, Director, North American Certification Programs
UL LLC

Any information and documentation involving UL Mark services are provided on behalf of UL LLC (UL) or any authorized licensee of UL. For questions, please contact a local UL Customer Service Representative at www.ul.com/contactus





Certificate of Compliance

This certificate is issued for the following:

OUTSIDE SCREW & YOKE TYPE (OS&Y) GATE VALVE
MODELS 399FF-300, 399FF-250, 399FF-200, 399GG-300, 399GG-250, 399GG-200,
399FG-300, 399FG-250, 399FG-200

NON-RISING STEM TYPE (NRS) GATE VALVE
MODELS 388FF-300, 388FF-250, 388FF-200, 388GG-300, 388GG-250, 388GG-200,
388FG-300, 388FG-250, 388FG-200

INDICATOR POST MODELS G388 AND W388

SWING CHECK VALVE MODELS 50FF-300, 50FF-250, 50FF-200

Prepared for:
GALA RS Inc
11200 Westheimer
Suite 201
Houston, TX 77042

FM Approvals Class: 1120/1130, 1110, 1210

Approval Identification: 0003049247

Approval Granted: July 12, 2013

To verify the availability of the Approved product, please refer to www.approvalguide.com

Said Approval is subject to satisfactory field performance, continuing Surveillance Audits, and strict conformity to the constructions as shown in the Approval Guide, an online resource of FM Approvals.

A handwritten signature in dark ink, appearing to read "Richard B. Dunne".

Richard B. Dunne
Group Manager -Fire Protection
FM Approvals
1151 Boston-Providence Turnpike
Norwood, MA 02062

August 7, 2013
Date



Member of the FM Global Group