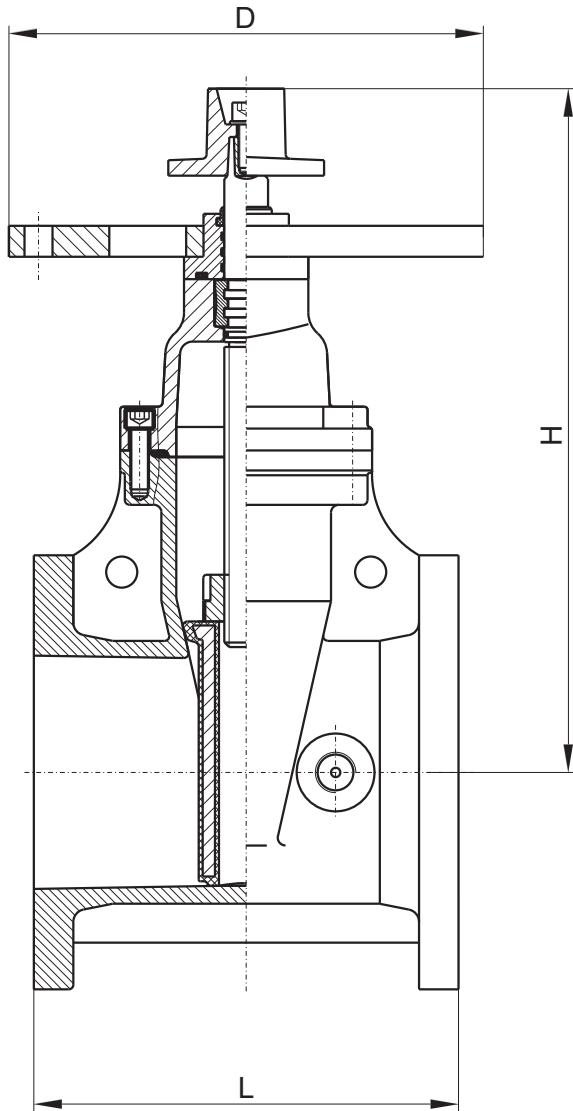


Gate Valve

Resilient Seated-300PSI-NRS Type-Flanged Ends

Fig.388F



Valve Standard

Conforms to AWWA C509 / BS5163

Working pressure

21 Bar/300PSI

Flanged Ends

ANSI B16.1 Class 150

Materials List

Part Name	Material	Specification
Body	Ductile Iron	A536 65-45-12
Wedge Disc	Ductile Iron EPDM Coated	
Disc Nut	Bronze	ASTM B62
Stem	Stainless Steel	AISI 304/302
Gasket	EPDM	Commercial
Bonnet	Ductile Iron	A536 65-45-12
Thrust Collar	Bronze	ASTM B62
Gland	Ductile Iron	A536 65-45-12
Wrench Nut	Ductile Iron	A536 65-45-12
Post Plate	Ductile Iron	A536 65-45-12

Dimensions(mm/inch):

SIZE	mm	50	65	80	100	125	150	200	250	300
	inch	2	2 1/2	3	4	5	6	8	10	12
L	mm	178	191	203	229	254	267	292	330	356
	inch	7.00	7.50	8.00	9.00	10.00	10.50	11.50	13.00	14.00
H	mm	295	295	323	342	408	440	537	640	723
	inch	11.61	11.61	12.72	13.46	16.06	17.32	21.14	25.20	28.46
D	mm	305	305	305	305	305	305	305	305	305
	inch	12.01	12.01	12.01	12.01	12.01	12.01	12.01	12.01	12.01

CERTIFICATE OF COMPLIANCE

Certificate Number 20130703-EX16373
Report Reference EX16373-20130701
Issue Date 2013-JULY-03

Issued to: GALA RS INC
SUITE 201, 11200 WESTHEIMER RD
HOUSTON, TX, 77042, US

**This is to certify that
representative samples of**

Gate Valves


Resilient Seated Gate Valves - 388FF-300, 388GG-300,
388FG-300, 399FF-300, 399GG-300, 399FG-300, 388FF-
250, 388GG-250, 388FG-250, 399FF-250, 399GG-250,
399FG-250, 388FF-200, 388GG-200, 388FG-200, 399FF-
200, 399GG-200, 399FG-200.

Have been investigated by UL in accordance with the
Standard(s) indicated on this Certificate.

Standard(s) for Safety: Standard for Gate Valves for Fire-Protection Service - UL
262

Additional Information: See the UL Online Certifications Directory at
www.ul.com/database for additional information

Only those products bearing the UL Listing Mark should be considered as being covered by UL's
Listing and Follow-Up Service.

The UL Listing Mark generally includes the following elements: the symbol UL in a circle:  with the
word "LISTED"; a control number (may be alphanumeric) assigned by UL; and the product category
name (product identifier) as indicated in the appropriate UL Directory.

Look for the UL Listing Mark on the product.



William R. Carney, Director, North American Certification Programs
UL LLC

Any information and documentation involving UL Mark services are provided on behalf of UL LLC (UL) or any authorized licensee of UL. For questions, please
contact a local UL Customer Service Representative at www.ul.com/contactus





Certificate of Compliance

This certificate is issued for the following:

OUTSIDE SCREW & YOKE TYPE (OS&Y) GATE VALVE
MODELS 399FF-300, 399FF-250, 399FF-200, 399GG-300, 399GG-250, 399GG-200,
399FG-300, 399FG-250, 399FG-200

NON-RISING STEM TYPE (NRS) GATE VALVE
MODELS 388FF-300, 388FF-250, 388FF-200, 388GG-300, 388GG-250, 388GG-200,
388FG-300, 388FG-250, 388FG-200

INDICATOR POST MODELS G388 AND W388

SWING CHECK VALVE MODELS 50FF-300, 50FF-250, 50FF-200

Prepared for:
GALA RS Inc
11200 Westheimer
Suite 201
Houston, TX 77042

FM Approvals Class: 1120/1130, 1110, 1210

Approval Identification: 0003049247

Approval Granted: July 12, 2013

To verify the availability of the Approved product, please refer to www.approvalguide.com

Said Approval is subject to satisfactory field performance, continuing Surveillance Audits, and strict conformity to the constructions as shown in the Approval Guide, an online resource of FM Approvals.

A handwritten signature in dark ink, appearing to read 'Richard B. Dunne', is written over a horizontal line.

Richard B. Dunne
Group Manager -Fire Protection
FM Approvals
1151 Boston-Providence Turnpike
Norwood, MA 02062

August 7, 2013
Date



Member of the FM Global Group