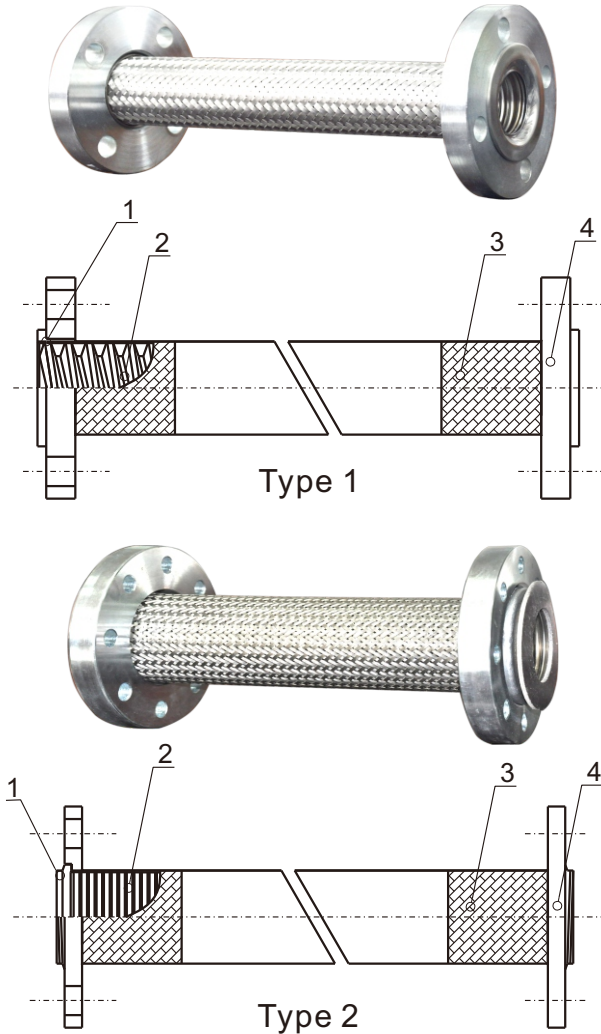


FLEXIBLE HOSE

Flange Type Flexible Hose

Fig.GF600H



Application

Water, Steam, Turbines, Gas, Fuel Oil, Air, Etc.

Max. Working Temperature

300°C

Max. Working Pressure

25 kgf/cm²

Flange Drilling Suited for :

ANSI 300

Construction

No. Parts	Materials
1 Collar	Stainless Steel
2 Bellow	Stainless Steel
3 Braid	Stainless Steel
4 Loose Flange	Carbon Steel / Stainless Steel

No. Parts	Materials
1 Ring	Carbon Steel
2 Bellow	Stainless Steel
3 Braid	Stainless Steel
4 Loose Flange	Carbon Steel / Stainless Steel

Specification

Nominal Diameter		Overall Length	Lateral Movement	
DN	inch		Type1	Type2
15	1/2	300	30	-
20	3/4	300	30	30
25	1	300	30	30
32	1-1/4	300	30	30
40	1-1/2	300	25	30
50	2	300	20	30
65	2-1/2	300	15	30
80	3	300	10	30
100	4	300	5	25
125	5	300	-	20
150	6	300	-	20
200	8	300	-	10
250	10	300	-	5
300	12	300	-	5
350	14	300	-	2
400	16	300	-	2

Remarks: Large size and different length available on request.