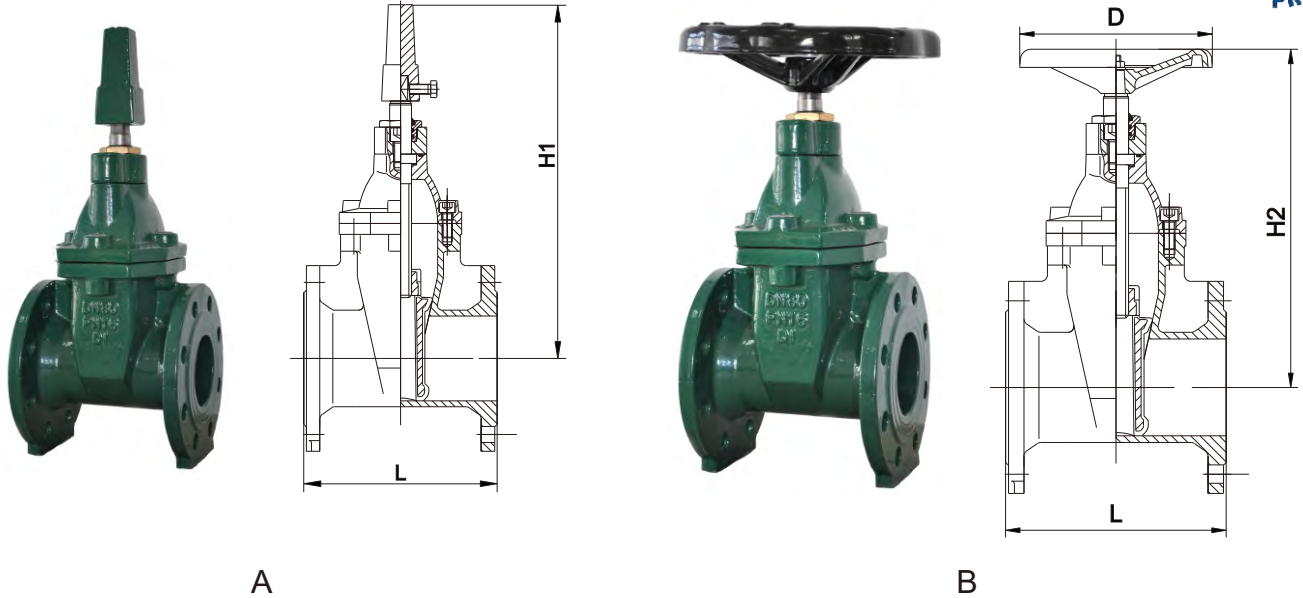


PN16

NRS Resilient Seat Gate Valve

Fig. 3243



**Material Specification**

Part	Material	EN Spec.
Body	Ductile Iron	EN-JS1050
Bonnet	Ductile Iron	EN-JS1050
Disc	EPDM Coated DI	EN-JS1050
Stem	Stainless Stee 420	BS970 420S37
O-Ring	EPDM	Commercial
Wrench Nut	Ductile Iron	EN-JS1050
Hand Wheel	Ductile Iron	EN-JS1050

**NOTE :**  
ONLY DN50-DN300 TYPE B ARE WRAS APPROVED.

**Valve Standard :**

Comply with BS 5163 Type A&B

**Flange Drilled to :**

ANSI 150

**Pressure Temperature Ratings**

Working pressure	16bar
Testing Pressure	Shell:24bar Seat:17.6bar
Working Temperature	-20°C to 110 °C EPDM

**Dimensions**

DN	mm	50	65	80	100	125	150	200	250	300	350	400	450	500	600
	inch	2	2-1/2	3	4	5	6	8	10	12	14	16	18	20	24
L		178	190	203	229	254	267	292	330	356	381	406	432	457	508
H1		291	318	355	381	445	485	572	656	773	947	1022	1092	1171	1313
H2		210	237	274	300	364	404	497	590	667	882	956	1027	1106	1258
D		160	200	200	200	250	250	320	370	370	450	450	640	640	640

# WRAS<sup>®</sup>

Water Regulations Advisory Scheme

*This certifies that*

**GALA RS INC**

---

*has had the undermentioned product examined, tested and found, when correctly installed, to comply with the requirements of the United Kingdom Water Supply (Water Fittings) Regulations/Scottish Water Byelaws.*

**GALA 3243NRS & GALA 3233OS&Y GATE VALVES (DN50 - DN300)**

*This certificate by itself is not evidence of a valid WRAS Approval. Confirmation of the current status of an approval must be obtained from the WRAS Directory ([www.wras.co.uk/directory](http://www.wras.co.uk/directory))*

---

*The product so mentioned will be listed in the Water Fittings and Materials Directory for a period until:*

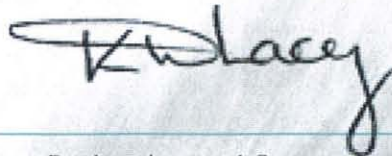
**30 NOVEMBER 2018**

---

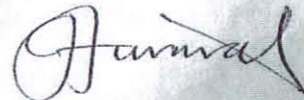
**1311079**

---

*Certificate No.*



*Chairman, Product Approval Group*



*Secretary*

**WRAS**  
**APPROVED  
PRODUCT**