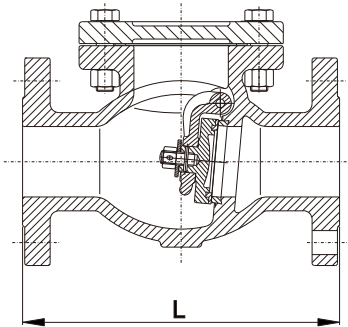


PN 25

Flange Type Swing Check Valve-BS/MSS Metal Seated

Fig. 5102



Valve Standard :

Comply with EN 12334(BS 5153) & MSS SP-71

Pressure Temperature Ratings

Working pressure	25bar
Testing Pressure	Shell:37.5 bar
	Seal:27.5 bar
Working Temperature	-10°C to 120 °C
Suitable Media	Water,Oil&Gas

Flange Drilled to :

ANSI 300

Material Specification

Part	Material	ASTM Spec.
Body	Cast Iron	A126 Class B
Disc	Cast Iron	A126 Class B
Seat Ring	Bronze	B62 C83600
Disc Ring	Bronze	B62 C83600

Dimensions

DN	mm	50	65	80	100	125	150	200	250	300	350	400	450	500	600
	inch	2	2-1/2	3	4	5	6	8	10	12	14	16	18	20	24
L(PN25)		267	292	318	356	400	444	533	622	711	-	-	-	-	-