

Fig. 5104



**Pressure Temperature Ratings**

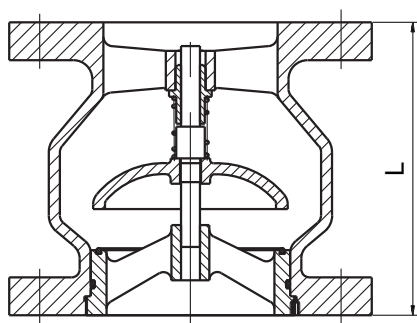
Working pressure	16bar
Testing Pressure	Shell:24bar Seal:17.6bar
Working Temperature	-20°C to 110°C EPDM -10°C to 80°C NBR
Suitable Media	Water,Oil&Gas

**Flange Drilled to :**

ANSI 125 / 150

**Material Specification**

Part	Material	ASTM Spec.
Body	Cast Iron	A126 Class B
Disc	Stainless Steel 304	A351 CF8
Seat	Bronze	B62 C83600
Seat Ring	EPDM	Commercial
Bushing	Bronze	B62 C83600
Spring	Stainless Steel 304	S30400



**Dimensions**

DN	mm	50	65	80	100	125	150	200	250	300	350	400	450	500	600
	inch	2	2-1/2	3	4	5	6	8	10	12	14	16	18	20	24
L		133	140	152	185	216	229	257	393	362	400	448	476	524	610