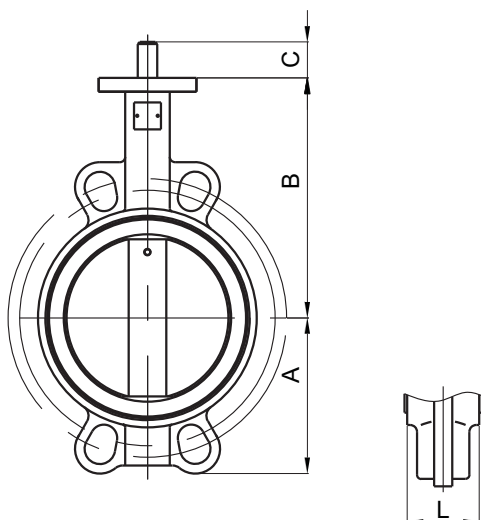


Fig. 2302H



### Valve Standard :

Comply with ISO 5752/BS 5155/  
BS EN 593/MSS SP-67/API 609

### Pressure Temperature Ratings

Working pressure	25bar
Testing Pressure	Shell:37.5bar
	Seal:27.5bar
Working Temperature	-20°C to 110°C EPDM Seat
Suitable Media	Water,Oil&Gas

### Flange Drilling Suited for :

ANSI 300

### Material Specification

Part	Material	ASTM
Body	Ductile Iron	A536 Gr. 65-45-12
Disc	Ductile Iron	A536 Gr. 65-45-12
Shaft	Stainless Steel 410	A276 S 410 00
Seat Ring	EPDM	
O-Ring	EPDM	
Bushing	Bronze	B62 C83600

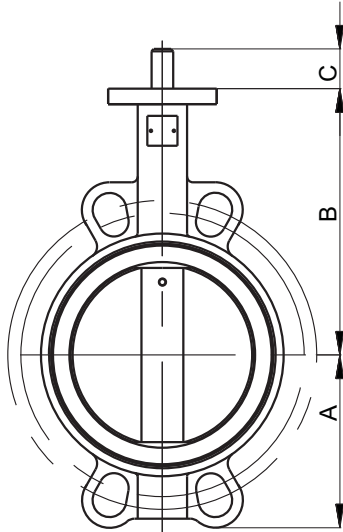
### Dimensions

DN	mm	40	50	65	80	100	125	150	200	250	300	350	400
	inch	1-1/2	2	2-1/2	3	4	5	6	8	10	12	14	16
	A	68	80	89	95	114	127	139	175	203	242	267	316
	B	110	161	175	181	200	213	226	260	292	337	368	400
	C	24	30	30	30	30	30	30	34	34	34	40	52
	L	33	42	45	45	51	55	55	60	67	76	76	102

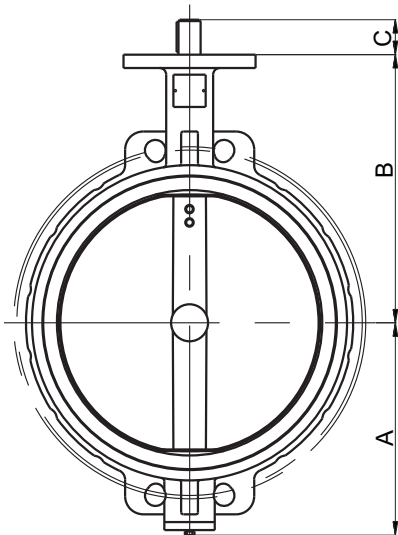
  

DN	mm	450	500	550	600	650	700	750	800	900	1000	1200	-
	inch	18	20	22	24	26	28	30	32	36	40	48	-
	A	334	370	433	468	484	530	565	602	661	724	869	-
	B	422	480	533	562	540	626	660	666	722	806	938	-
	C	52	64	70	70	70	95	95	95	130	130	150	-
	L	114	127	151	151	172	165	167	188	203	216	276	-

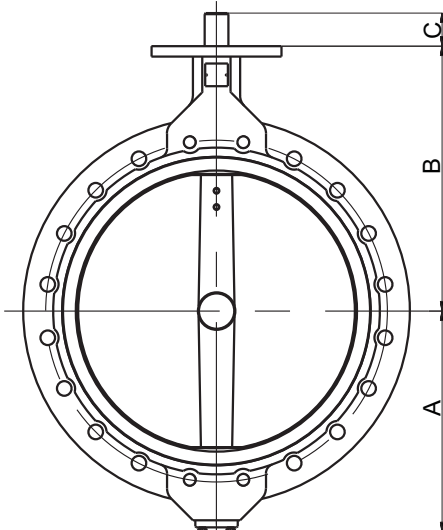
Fig. 2302H  
Appearance



Fit DN40-DN350 Wafer Butterfly valves



Fit DN400-DN500 Wafer Butterfly valves

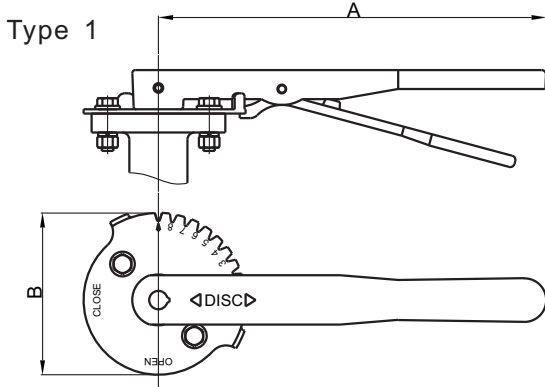


Fit DN550-DN1200 Wafer Butterfly valves

PN25

Wafer Butterfly Valves

Fig. 2302H



**Material Specification**

Part	Material
Lever	Malleable Iron
Top Plate	Carbon Steel
	Stainless Steel 304
	Stainless Steel 316



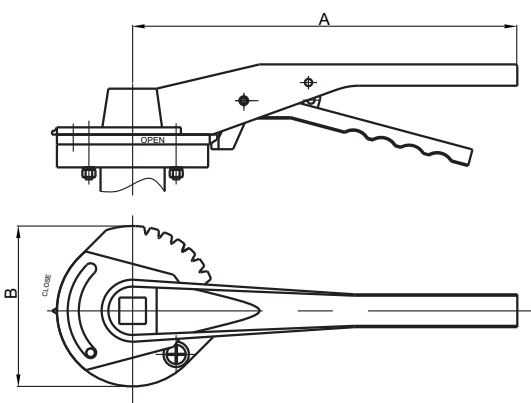
**Dimensions**

DN	mm	40	50-150	200-300
	inch	1-1/2	2-6	8-12
A		165	224	357
B		104	104	161

**Lever Operator**

Malleable Iron Lever

Type 2



**Material Specification**

Part	Material
Lever	Malleable Iron
Top Plate	Aluminum



**Dimensions**

DN	mm	50-80	100-150	200-300
	inch	2-3	4-6	8-12
A		180	220	318
B		70	97	133

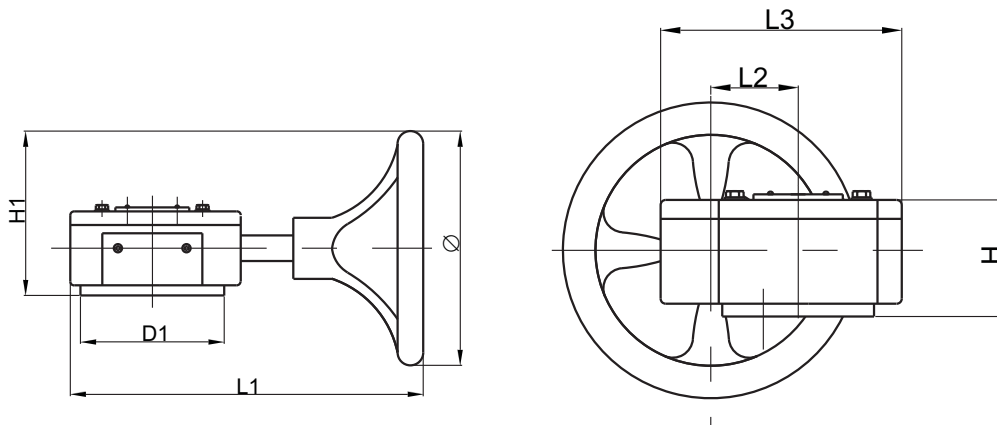
Fig. 2302H

Gear Box



**Material Specification**

Part	Material
Housing	Cast Iron
Cover	Cast Iron
Worm	Carbon Steel
Worm Gear	Ductile Iron
Shaft	Carbon Steel
Handwheel	Cast Iron



**Dimensions**

Model	Valve Size		Dimensions							Output	
	Concentric Valve Size inch mm	Eccentric Valve Size inch mm	D1	Ø	H	H1	L1	L2	L3	Torque (N. M)	Rate
3D-15	2-6 50-150	2-5 50-125	108	145	65	113	212	45	129	200	24:1
3D-50	8-10 200-250	6-8 150-200	146	285	70	182	305	62	171	500	30:1
3D-120	12-14 300-350	10-12 250-300	165	285	77	182	300	85	198	1200	50:1
XJ80	16-18 400-450	14-16 350-400	234	385	103	247	423	120	280	2500	80:1
XJ300	20-24 500-600	18-20 450-500	276	385	143	270	490	122	316	4000	293.5:1