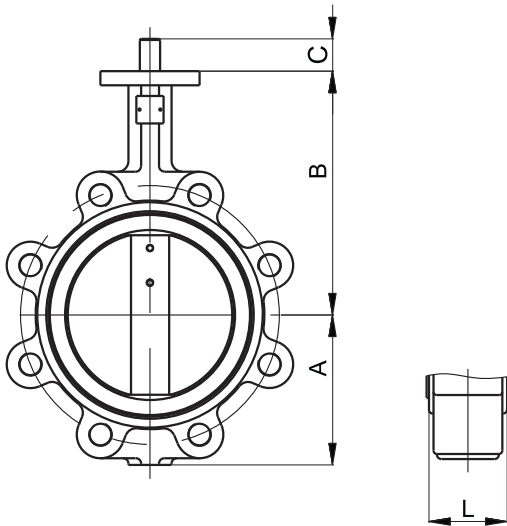


Fig. 2502



**Valve Standard :**

Comply with ISO 5752/BS 5155/  
BS EN 593/MSS SP-67/API 609

**Flange Drilling Suited for :**

ANSI 150

**Pressure Temperature Ratings**

Working pressure	16bar
Testing Pressure	Shell:24bar Seal:17.6bar
Working Temperature	-20°C to 110°C EPDM Seat
Suitable Media	Water, Oil&Gas

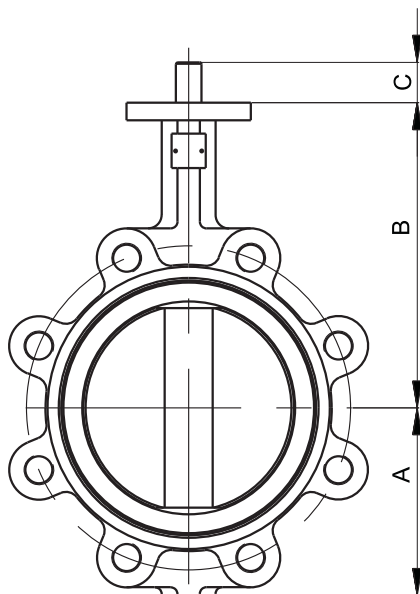
**Material Specification**

Part	Material	ASTM
Body	Cast Iron	A126 Class B
Disc	Ductile Iron	A536 Gr. 65-45-12
Shaft	Stainless Steel 410	A276 S 410 00
Seat Ring	EPDM	
O-Ring	EPDM	
Bushing	Bronze	B62 C83600

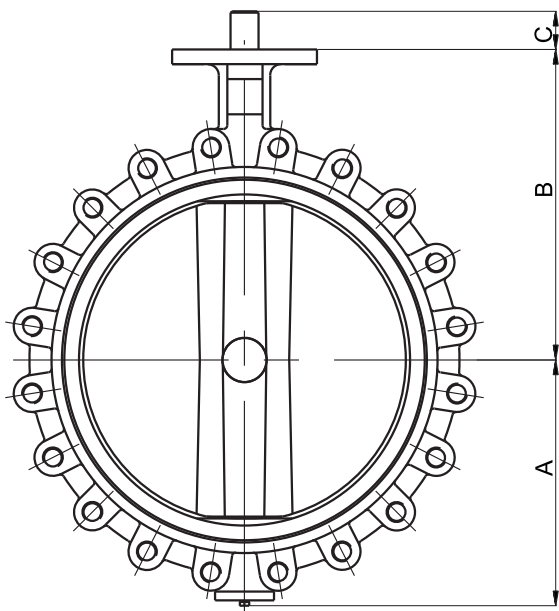
**Dimensions**

DN	mm	40	50	65	80	100	125	150	200	250
	inch	1-1/2	2	2-1/2	3	4	5	6	8	10
	A	68	80	89	95	114	127	139	175	203
	B	110	161	175	181	200	213	226	260	292
	C	24	30	30	30	30	30	30	34	34
	L	33	42	45	45	51	55	55	60	67
DN	mm	300	350	400	450	500	550	600	650	700
	inch	12	14	16	18	20	22	24	26	28
	A	242	267	316	334	370	433	468	484	530
	B	337	368	400	422	480	533	562	540	626
	C	34	40	52	52	64	70	70	70	95
	L	76	76	102	114	127	151	151	172	165

Appearance



Fit DN40-DN350 Lug Butterfly valves



Fit DN400-DN700 Lug Butterfly valves

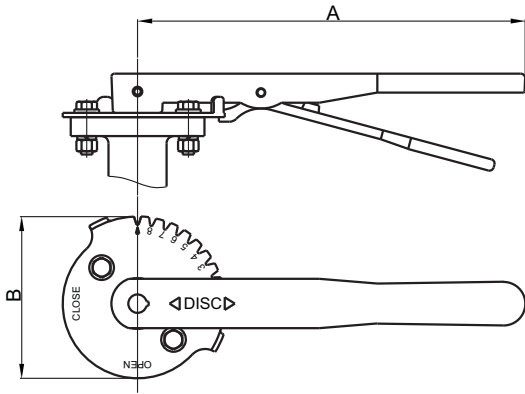
PN16

Wafer Butterfly Valves

LEVER HANDLE

1-Stage Transmission

Type 1



**Material Specification**

Part	Material
Lever	Malleable Iron
Top Plate	Stainless Steel 304



**Dimensions**

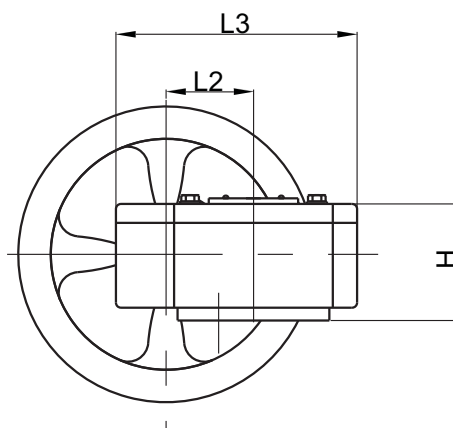
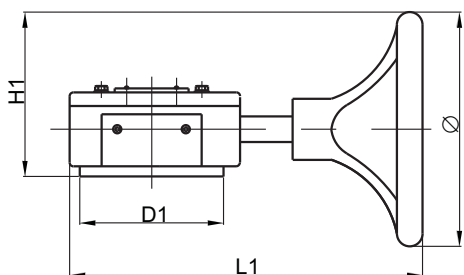
DN	mm	40	50-150	200-300
	inch	1-1/2	2-6	8-12
A		165	224	357
B		104	104	161

Gear Box



**Material Specification**

Part	Material
Housing	Cast Iron
Cover	Cast Iron
Worm	Carbon Steel
Worm Gear	Ductile Iron
Shaft	Carbon Steel
Handwheel	Cast Iron



**Dimensions**

Model	Concentric Valve Size inch mm	D1	Ø	H	H1	L1	L2	L3	Output Torque	Rate
									(N. M)	
3D-15	2-6 50-150	108	145	65	113	212	45	129	200	24:1
3D-50	8-10 200-250	146	285	70	182	305	62	171	500	30:1
3D-120	12-14 300-350	165	285	77	182	300	85	198	1200	50:1
XJ80	16-18 400-450	234	385	103	247	423	120	280	2500	80:1
XJ300	20-24 500-600	276	385	143	270	490	122	316	4000	293.5:1



# WRAS<sup>®</sup>

Water Regulations Advisory Scheme

*This certifies that*

**GALA RS INC**

---

*has had the undermentioned product examined, tested and found, when correctly installed, to comply with the requirements of the United Kingdom Water Supply (Water Fittings) Regulations/Scottish Water Byelaws.*

**GALA 2502 & GALA 2302 BUTTERFLY VALVES (DN50 - DN300)**

*This certificate by itself is not evidence of a valid WRAS Approval. Confirmation of the current status of an approval must be obtained from the WRAS Directory ([www.wras.co.uk/directory](http://www.wras.co.uk/directory))*

---

*The product so mentioned will be listed in the Water Fittings and Materials Directory for a period until:*

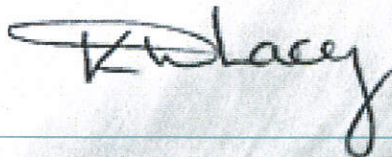
**30 NOVEMBER 2018**

---

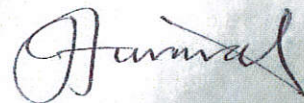
**1311080**

---

*Certificate No.*



*Chairman, Product Approval Group*



*Secretary*

**WRAS**  
**APPROVED  
PRODUCT**