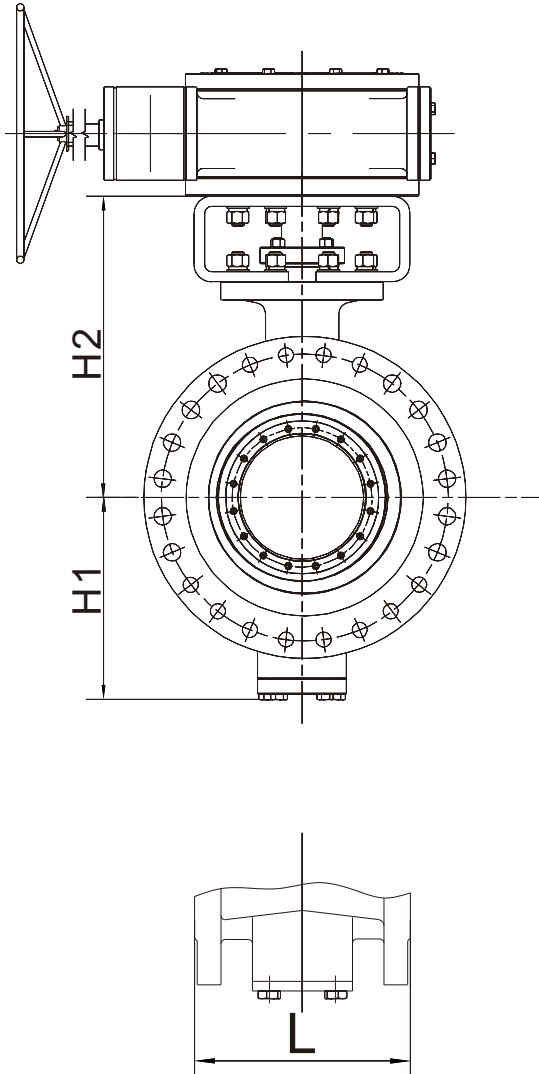


Fig. 2980D



Valve Standard :

Comply with ASME B16.34 / API609

Pressure Temperature Ratings

Working pressure	CL150/CL300/CL600/CL900
Working Temperature	-60°C to 450°C
Suitable Media	Water, Oil & Gas

Material Specification

Part	Material	ASTM
Body	Carbon Steel	ASTM A216 WCB
	Stainless Steel	ASTM A351 CF8M
	Alloy Steel	ASTM A217 WC6
	Low Temperature Steel	ASTM A352 LCB
Disc	Carbon Steel	ASTM A216 WCB
	Stainless Steel	ASTM A351 CF8
	Alloy Steel	ASTM A217 WC6
	Low Temperature Steel	ASTM A352 LCB
Shaft	Stainless Steel	ASTM A479 410
	Stainless Steel	ASTM A479 XM-19
Body Seat	Stellite 21	
Disc Seal	S31803+Graphite	
	S20910+Graphite	

Dimensions

DN	mm	80	100	150	200	250	300	350	400	450	500	600	700	750	800	900	1000	1050	1200
	inch	3	4	6	8	10	12	14	16	18	20	24	28	30	32	36	40	42	48
CL150	H1	260	290	330	385	425	490	525	545	580	580	690	795	865	865	1000	1130	1130	1267
	H2	125	141	165	214	243	286	312	350	383	414	484	556	611	611	736	801	801	866
	L	114	127	140	152	165	178	190	216	222	229	267	292	318	318	330	410	410	470
CL300	H1	260	290	350	415	455	490	545	575	660	700	785	880	1000	1000	1150	1150	1215	1300
	H2	125	141	189	236	272	310	335	389	422	462	531	617	671	671	801	801	900	991
	L	114	127	140	152	165	178	190	216	222	229	267	292	318	318	330	410	410	470
CL600	H1	234	298	355	405	485	538	610	680	683	795	885	-	-	-	-	-	-	-
	H2	136	185	238	263	328	365	390	440	460	526	623	-	-	-	-	-	-	-
	L	180	190	210	230	250	270	290	310	330	350	390	-	-	-	-	-	-	-
CL900	H1	-	-	355	466	520	620	683	730	770	870	1030	-	-	-	-	-	-	-
	H2	-	-	238	293	345	378	456	492	510	590	673	-	-	-	-	-	-	-
	L	-	-	225	275	325	375	425	475	500	575	675	-	-	-	-	-	-	-