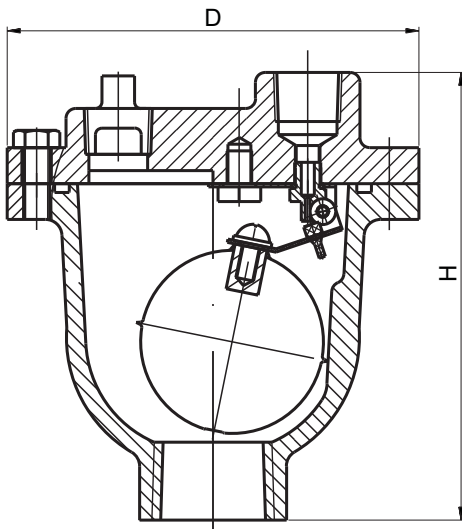


Fig. 9701



**Pressure Temperature Ratings**

Working pressure	16bar
Testing Pressure	Shell:24bar
	Seal:17.6bar
Working Temperature	-10°C to 100°C

**End Connection :**

Threaded to NPT Female

**Material Specification**

Part	Material	ASTM Spec.
Body	Cast Iron	A126 Class B
Cover	Cast Iron	A126 Class B
Level	Stainless Steel 304	S30400
Seat Ring	Stainless Steel 304	S30400
Float	Stainless Steel 304	S30400
Float Arm	Stainless Steel 304	S30400
Orifice Button	Viton	Commercial

**Dimensions**

DN		Inlet	Outle	Orifice	D	H
mm	inch					
15	1/2	15	15	1.6	125	137
20	3/4	20	15	1.6	125	137
25	1	25	15	1.6	125	137