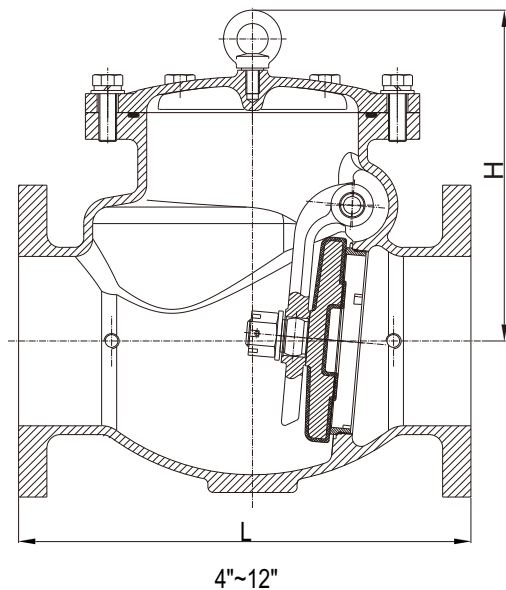
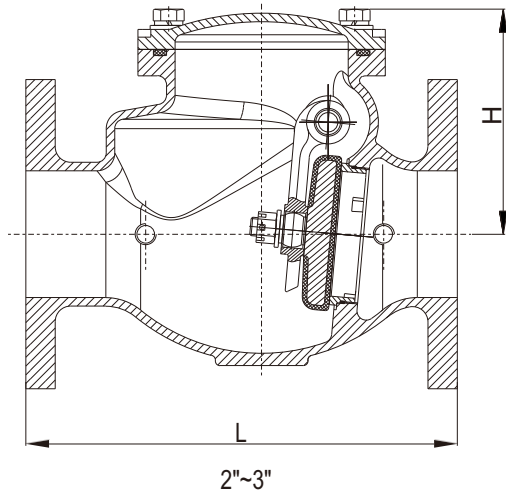


Swing Check Valve

Resilient Seated Flanged Ends

Fig. 55FF-300



Valve Standard

Conforms to AWWA C508, Clear Waterway

Working pressure

300PSI

Flanged Ends

ANSI B16.1 Class 125/150/250,
EN1092-2 PN10/PN16/PN25
BS10 Table D/Table E

Materials List

Part Name	Material	Specification
Body	Ductile Iron	A536 65-45-12
Cover	Ductile Iron	A536 65-45-12+EPDM
Clapper	Ductile Iron	A536 65-45-12
Clapper Arm	Ductile Iron	A536 65-45-12
Hinge Pin	Stainless Steel	AISI 304
Seat	Bronze	ASTM B62
	Stainless Steel	AISI 304
	Ductile Iron	A536 65-45-12+Nickel

Dimensions(mm/inch)

SIZE	mm	50	65	80	100	125	150	200	250	300
	inch	2	2½	3	4	5	6	8	10	12
L	mm	203	254	279	330	356	406	495	559	660
	inch	8	10	11	13	14	16	19.5	22	26
H	mm	130	141	146	223	290	297	365	418	453
	inch	5.12	5.55	5.75	8.78	11.42	11.69	14.37	16.46	17.83