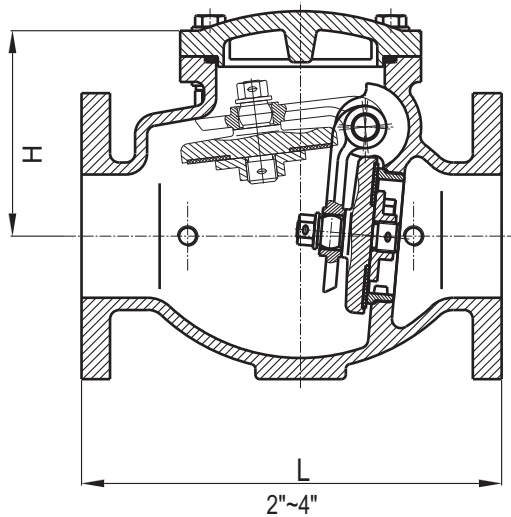


Swing Check Valve

Resilient Seated - 300PSI - Flanged Ends

Fig. 50FF



Valve Standard

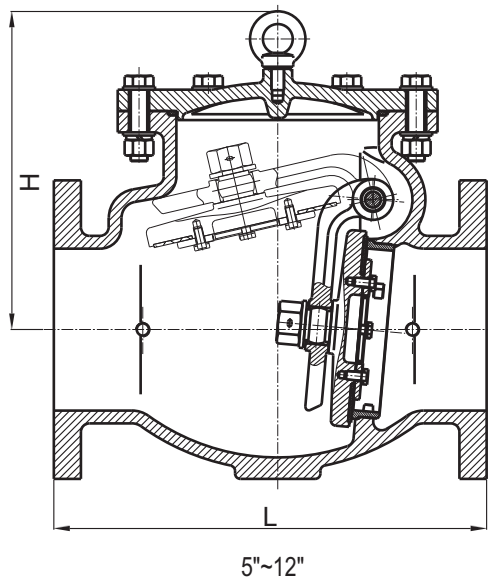
Conforms to AWWA C508, Clear Waterway

Working pressure

21 Bar / 300 PSI

Flanged Ends

ANSI B16.1 Class 150



Materials List

Part Name	Material	Specification
Body	Ductile Iron	A536 65-45-12
Cover	Ductile Iron	A536 65-45-12
Clapper	Ductile Iron	A536 65-45-12
Clapper Arm	Ductile Iron	A536 65-45-12
Seat Ring	EPDM	
Hinge Pin	Stainless Steel	AISI 304
Retainer Washer	Bronze	ASTM B62

Dimensions(mm/inch)

SIZE	mm	50	65	80	100	125	150	200	250	300
	inch	2	2 1/2	3	4	5	6	8	10	12
L	mm	203	254	279	330	356	406	495	559	660
	inch	8	10	11	13	14	16	19.5	22	26
H	mm	122	133	136.5	162.5	296	298.5	357	410	463
	inch	4.80	5.23	5.37	6.40	11.65	11.75	14.06	16.14	18.31

CERTIFICATE OF COMPLIANCE

Certificate Number 20130704-EX16374
Report Reference EX16374-20130701
Issue Date 2013-JULY-04


Issued to: GALA RS INC
SUITE 201, 11200 WESTHEIMER RD
HOUSTON, TX, 77042, US

This is to certify that representative samples of Check Valves
Swing-type check valve - 50FF-300, 50FF-250, 50FF-200

Have been investigated by UL in accordance with the Standard(s) indicated on this Certificate.

Standard(s) for Safety: Check Valves for Fire-Protection Service - UL 312
Additional Information: See the UL Online Certifications Directory at www.ul.com/database for additional information

Only those products bearing the UL Listing Mark should be considered as being covered by UL's Listing and Follow-Up Service.

The UL Listing Mark generally includes the following elements: the symbol UL in a circle:  with the word "LISTED"; a control number (may be alphanumeric) assigned by UL; and the product category name (product identifier) as indicated in the appropriate UL Directory.

Look for the UL Listing Mark on the product.



William R. Carney, Director, North American Certification Programs
UL LLC

Any information and documentation involving UL Mark services are provided on behalf of UL LLC (UL) or any authorized licensee of UL. For questions, please contact a local UL Customer Service Representative at www.ul.com/contactus





Certificate of Compliance

This certificate is issued for the following:

OUTSIDE SCREW & YOKE TYPE (OS&Y) GATE VALVE
MODELS 399FF-300, 399FF-250, 399FF-200, 399GG-300, 399GG-250, 399GG-200,
399FG-300, 399FG-250, 399FG-200

NON-RISING STEM TYPE (NRS) GATE VALVE
MODELS 388FF-300, 388FF-250, 388FF-200, 388GG-300, 388GG-250, 388GG-200,
388FG-300, 388FG-250, 388FG-200

INDICATOR POST MODELS G388 AND W388

SWING CHECK VALVE MODELS 50FF-300, 50FF-250, 50FF-200

Prepared for:
GALA RS Inc
11200 Westheimer
Suite 201
Houston, TX 77042

FM Approvals Class: 1120/1130, 1110, 1210

Approval Identification: 0003049247

Approval Granted: July 12, 2013

To verify the availability of the Approved product, please refer to www.approvalguide.com

Said Approval is subject to satisfactory field performance, continuing Surveillance Audits, and strict conformity to the constructions as shown in the Approval Guide, an online resource of FM Approvals.

A handwritten signature in dark ink, appearing to read "Richard B. Dunne".

Richard B. Dunne
Group Manager -Fire Protection
FM Approvals
1151 Boston-Providence Turnpike
Norwood, MA 02062

August 7, 2013
Date



Member of the FM Global Group