

CLASS 125 / PN16 / JIS 10K

Flanged Double Orifice Air Valve

Fig. 9201

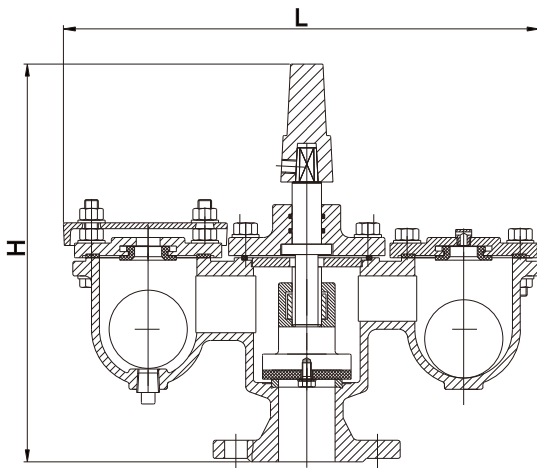


Pressure Temperature Ratings

Working pressure	16bar
Testing Pressure	Shell:24bar Seal:17.6bar
Working Temperature	-10°C to 100°C

Material Specification

Part	Material	EN Spec.
Body	Ductile Iron	EN-JS1050
Orifice Cover	Ductile Iron	EN-JS1050
Air Release Nipple	Brass	EN 12165 CW603N
Screw Plug	Brass	EN 12165 CW603N
Float Ball	ABS (ISO2580)	Commercial
Ball Seal Orifice	EPDM	Commercial



Dimensions

DN	mm	50	80	100	150	200
	inch	2	3	4	6	8
L		418	454	492	595	698
H		351	375	419	440	475