

**CLASS 150**

Bronze Swing Check Valve (Threaded)

Fig. 5451

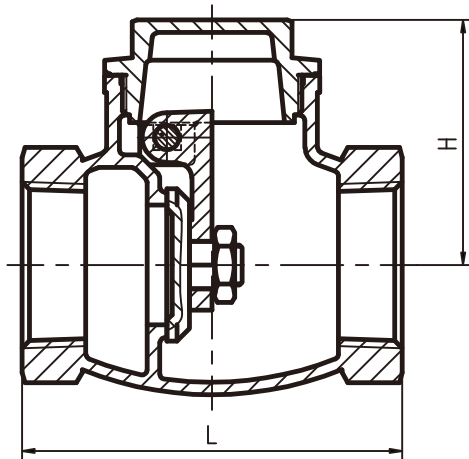


**Specification**

MSS SP-80  
 Screwed Cap • Swing Type Disc • Integral Seat  
 Threaded to BS 21 (ISO7) / ASME B1.20.1 / NPT  
 Size Range: 15mm(1/2")~50mm(2")

**Pressure Ratings**

Working Pressure	300 psi (20.7 bar) WOG Non-Shock 150 psi (10.3 bar) Saturated Steam
Testing Pressure	Shell: 450 psi (31 bar) Hydrostatic Seat: 330 psi (22.7bar) Hydrostatic 80 psi (5.5 bar) Air
Suitable Media	Water, Oil, Gas



**Material List**

Part Name	Material	ASTM	BS EN
Body	Bronze (Gunmetal)	B62 C83600	1982 CC491K
Cap	Bronze (Gunmetal)	B62 C83600	1982 CC491K
Disc	Brass	B124 C37700	12165 CW617N
Hinge Pin	Brass Rod	B124 C37700	12165 CW617N
Gasket	Non-Asbestos		

**Dimension**

Size	mm	15	20	25	32	40	50
	Inch	1/2	3/4	1	1-1/4	1-1/2	2
L		58	66	76	88	96	112
H		37	43	49	57.5	63	72