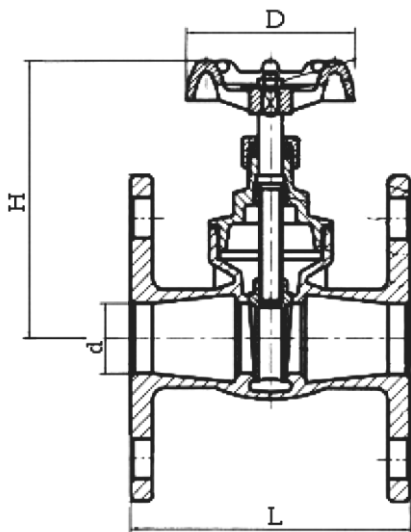


CLASS 125

Brass Gate Valve (Flanged)

Fig. 3104



Specification

Screwed-In bonnet • Solid Wedge Disc
 Non-Rising Stem • Integral Seat • Asbestos Free
 End Connection Flanged BS4504 / ANSI 150
 Size Range: 25mm(1")~100mm(4")

Pressure Ratings

Working Pressure	232 psi (16 bar) WOG Non-Shock 100 psi (7 bar) Saturated Steam
Testing Pressure	Shell: 348 psi (24bar) Hydrostatic Seat: 255 psi (17.6 bar) Hydrostatic 80 psi (5.5 bar) Air
Suitable Media	Water, Oil, Gas.

Material List

Part Name	Material	ASTM	BS EN
Body	Brass	B124 C37700	12165 CW617N
Bonnet	Brass	B124 C37700	12165 CW617N
Disc	Brass	B124 C37700	12165 CW617N
Stem	Brass	B124 C37700	12165 CW617N
Packing Nut	Brass	B124 C37700	12165 CW617N
Packing	PTFE		
Stem Bush	Brass	B124 C37700	12165 CW617N
Handwheel	Cast Iron		

Dimension

Size	mm	25	32	40	50	65	80	100
	Inch	1	1-1/4	1-1/2	2	2-1/2	3	4
d		25	32	38	45	56	68	90
L		88	94	106	117	132	150	174
H		95	110	124	138	170	198	242
D		60	72	80	110	130	178	200