

**TYPE 600**

Brass Ball Valve (Threaded)

Fig. 1207

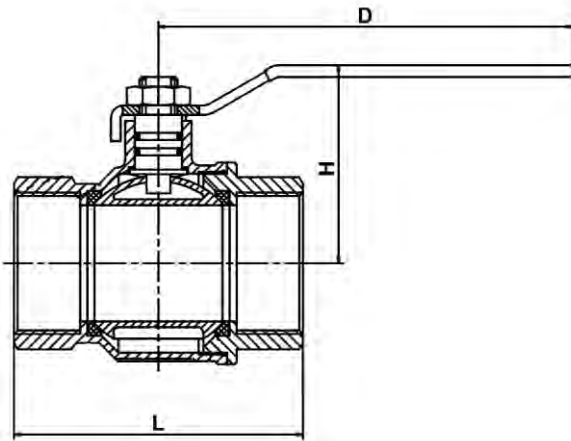


**Specification**

Screwed Body Cap • Full Bore  
 Blow-out Proof Stem • PTFE Seat  
 Threaded to BS 21 (ISO7) / ASME B1.20.1 / NPT  
 Size Range: 8mm(1/4")~50mm(2")

**Pressure Ratings**

Working Pressure	600 psi (41.3 bar) WOG Non-Shock 150 psi (10.3 bar) Saturated Stem
Testing Pressure	Shell: 900 psi (62 bar) Hydrostatic Seat: 660 psi (45.5 bar) Hydrostatic 80 psi (5.5 bar) Air
Suitable Media	Water, Oil, Gas



**Material List**

Part Name	Material	ASTM	BS EN
Body	Brass	B124 C37700	12165 CW617N
Cap	Brass	B124 C37700	12165 CW617N
Ball	Brass	B124 C37700	12165 CW617N
Seat	PTFE		
Stem	Brass Rod	B124 C37700	12165 CW617N
O-Ring	NBR		
Handle	Steel	A709 36	

**Dimension**

Size	mm	8	10	15	20	25	32	40	50
	Inch	1/4	3/8	1/2	3/4	1	1-1/4	1-1/2	2
L		46	46	48.5	55	64.5	75	85	99
H		46	46	48	52.5	58	71	76	90
D		72	72	97	97	104	123	123	150